

wirquin

PLUMBING - SANITARYWARE



Smiths Briten

a fresh approach to beautiful bathrooms

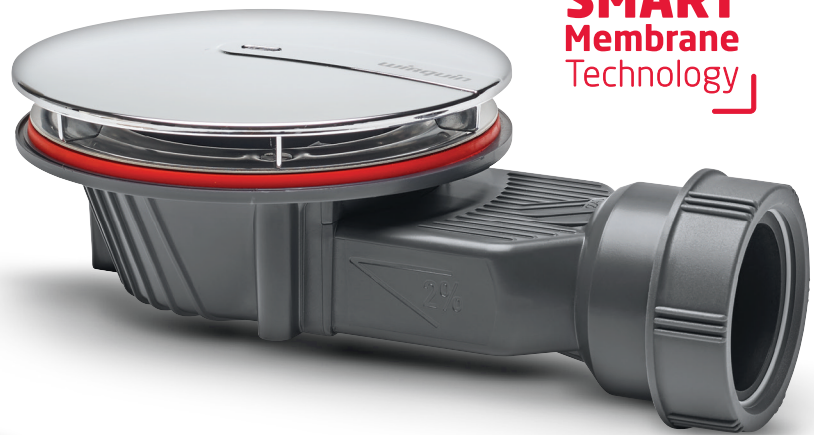
DISCOVER INNOVATION

*Smart
For Good*

SMART
Membrane
Technology



LIFETIME
GUARANTEED
GUARANTEE



6.7
cm

45 YEARS OF INNOVATION

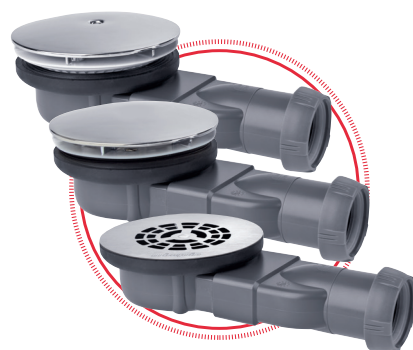
JOLLYFLEX

1992



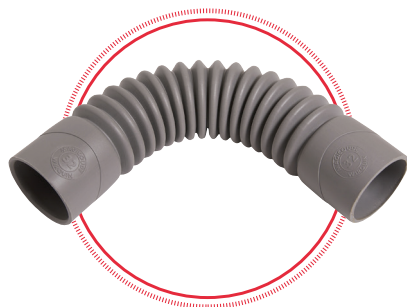
SLIM

2010



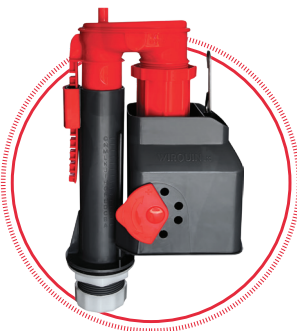
CHRONO

2014



MAGICFLEX

1998



MOTION

2014



VENISO SLIM

2015

Wirquin has been built on the unrivalled innovation of its products, investing 5% of our annual revenues each year into new product development. These innovations are rigorously tested and are designed to be simple to use and install. In 2022 Wirquin celebrated 45 years in business – we look forward to even more innovations in the years to come!

LOCK⁺ 

2017



INITIO

2018



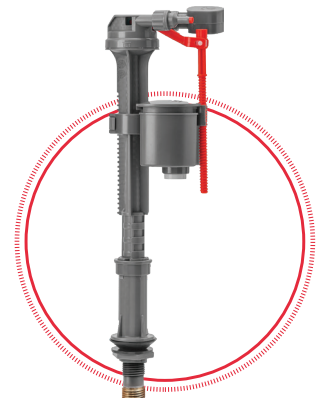
WIRQUIN NEO

2019



JOLLYFILL AIR

2023



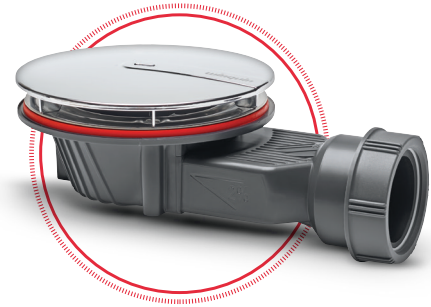
NANO 6.7

2017



WIRQUIN ONE

2018



SLIM⁺

2021

JOLLYFILL AIR

INLET VALVES JOLLYFILL AIR

BS 1212-4
COMPLIANT

WRAS
APPROVED PRODUCT

kiwa
approved
KUKreg4

YEARS
GUARANTEE
10

**Eliminate
the risk of
backflow!**
A new
generation of
inlet valves

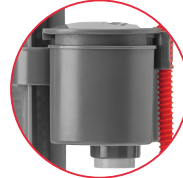


AUK1

AIR GAP COMPLIANT
WRAS / KIWA Reg4 approved to BS1212-4
Suitable with requirements of AUK1
Meets all AG Air Gap requirements
Eliminates back-siphoning



REVERSIBLE WATER DISCHARGE
Position of water discharge can be
changed to suit the most compact of
installations



ANTI-FOULING FLOAT
Float housing prevents float from fouling
on cistern or outlet valve

200 000
CYCLES

PROVEN PERFORMANCE
Endurance tested to 200,000 fill cycles



WIDE PRESSURE RANGE
Suitable for both low and high operating
pressures (0.1 - 20 bar)

WATER SAVING
DELAYED ACTION

QUICK INSTALL

QUIET FILL

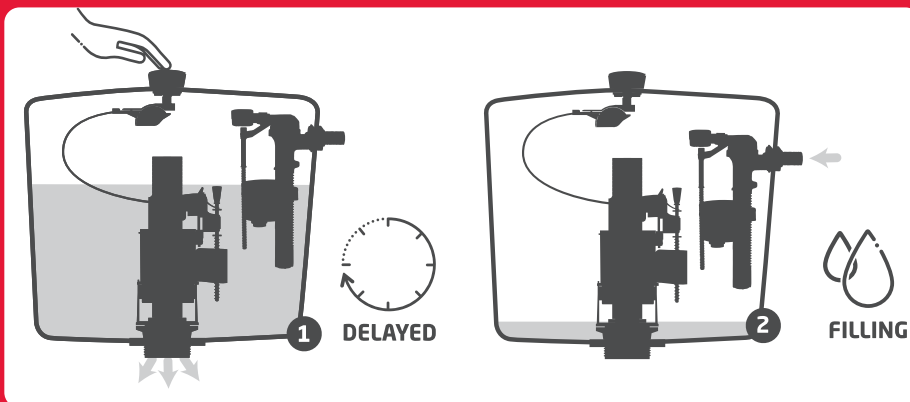
ULTRA
COMPACT

wirquin
Innovation



DELAYED ACTION FILLING

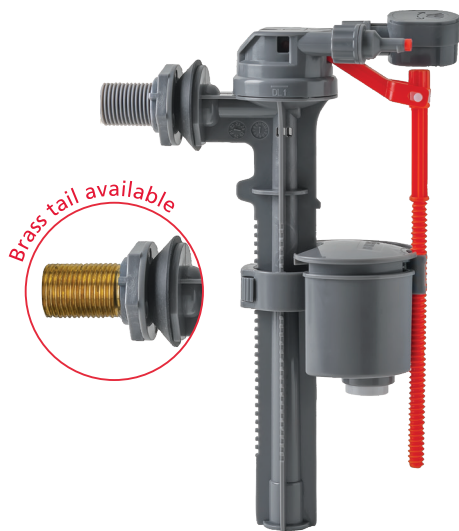
> The intelligent float makes it possible to fill the tank in an optimum way. Thanks to its delayed action technology, it only releases water into the cistern when the flush cycle is complete.



SAVE WATER 6l

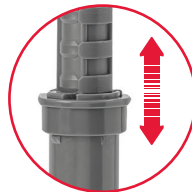
* 6L of water saved per day on average for a family of 4 when replacing an old inlet without a delayed action float.

Side Entry



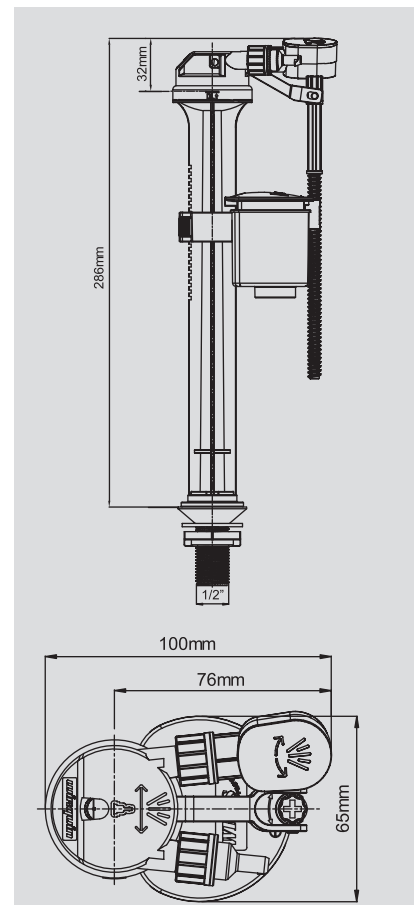
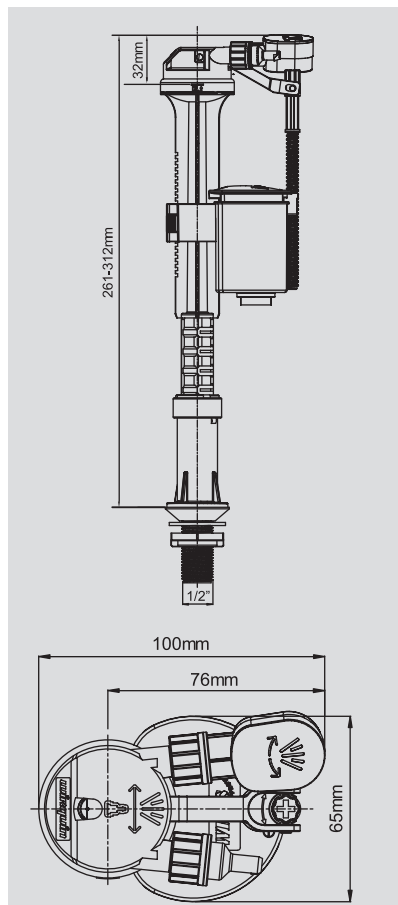
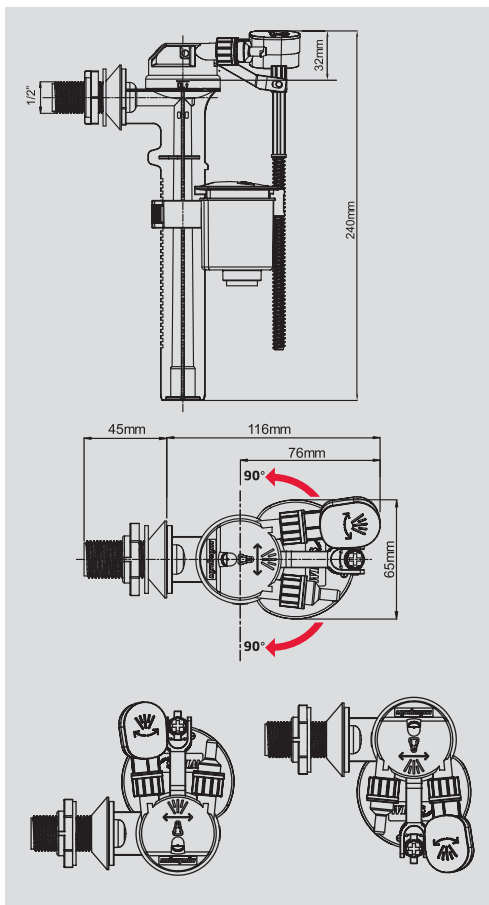
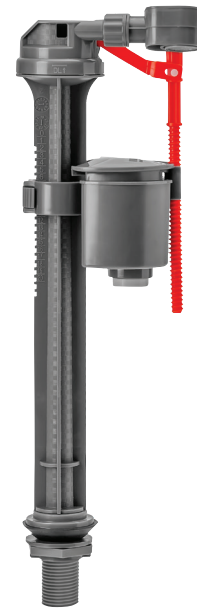
ROTATING HEAD
180° Head rotation
Ideal for compact cisterns

Telescopic



HEIGHT ADJUSTABLE
From 229 - 280mm / 9 - 11"

Bottom Entry



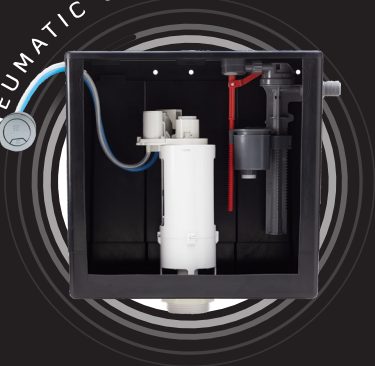
Description	JOLLYFILL AIR SIDE ENTRY BRASS	JOLLYFILL AIR SIDE ENTRY PLASTIC	JOLLYFILL AIR TELESCOPIC BRASS	JOLLYFILL AIR TELESCOPIC PLASTIC	JOLLYFILL AIR BOTTOM ENTRY PLASTIC
Reference	10120694	10120701	10120687	10120700	10120693
EAN code	5017134148886	5017134148954	5017134148817	5017134148947	5017134148879
Packaging	Box	Box	Box	Box	Box
Multiples / Pack	01/16	01/16	01/16	01/16	01/16



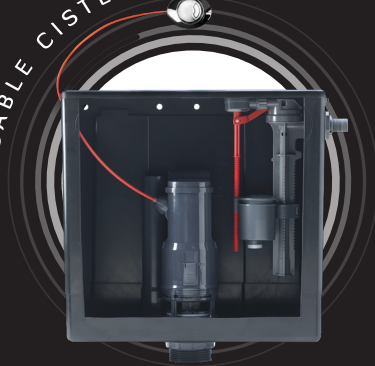
WIRQUIN

CONCEALED CISTERNS

PNEUMATIC CISTERNS



CABLE CISTERNS



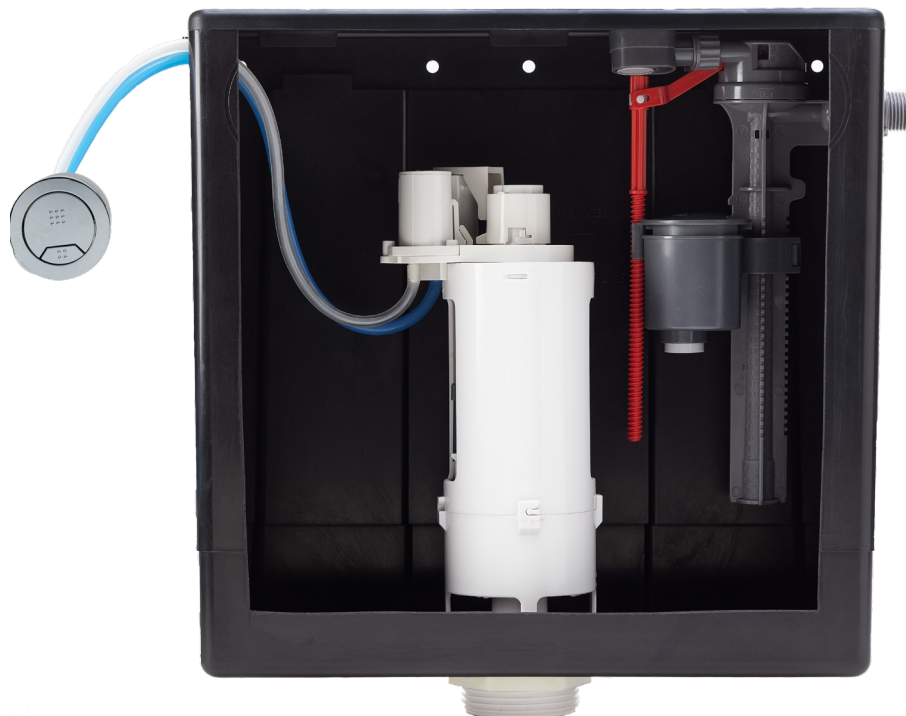
 **Smiths Briten**
a fresh approach to beautiful bathrooms

PNEU COMPACT

CONCEALED CISTERN PNEU COMPACT



*Flushing & Inlet Valve



THE MOST COMPACT CISTERN ON THE MARKET
Ideal for bathroom furniture and in wall installations



AIR GAP COMPLIANT
WRAS / KIWA Reg4 approved to BS1212-4.
Meets all AG Air Gap requirements.
Eliminates back-siphoning.



WATER SAVING DUAL FLUSH
Single flush options available

Reference	CPL41CP-AG	CPL61CP-AG	CPL62CP-AG	CPL63CP-AG
EAN code	5017134147896	5017134147919	5017134147926	5017134147933
Packaging	Box	Box	Box	Box
Pallet	1/54	1/54	1/54	1/54
Outlet	1 1/2"	2"	2"	2"
Flush	Single Flush Kayla - Pneumatic	Dual Flush Kayla - Pneumatic	Dual Flush Kayla - Pneumatic	Dual Flush Kayla - Pneumatic
Flush volumes	6l, 5l + 4l	6/5l, 5/3l + 4/2.6l	6/5l, 5/3l + 4/2.6l	6/5l, 5/3l + 4/2.6l
Inlet	Side Entry Jollyfill Air	Side Entry Jollyfill Air	Bottom Entry Jollyfill Air	Side Entry Jollyfill Air
Access	Front & Top	Front & Top	Front & Top	Front & Top
Internal overflow	✓	✓	✓	✓
Assembled	✓	✓	✓	✓
Button	Chrome - 50mm Kara	x	x	Chrome - 72mm Kara

DUO COMPACT

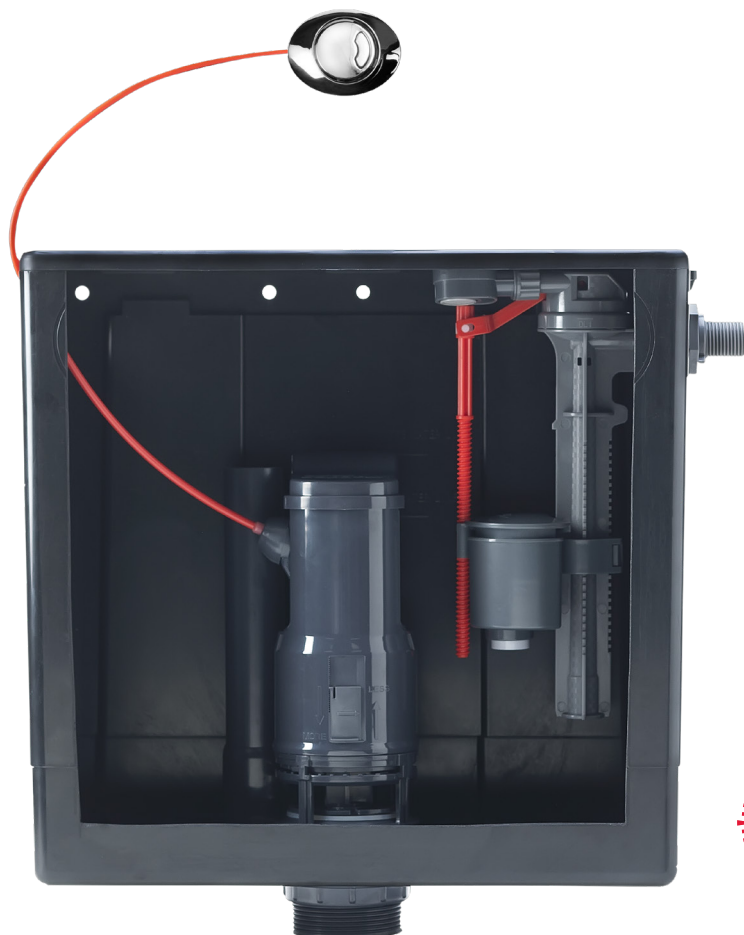
CONCEALED CISTERN DUO COMPACT



*Flushing & Inlet Valve



CISTERNS



THE MOST COMPACT CISTERN ON THE MARKET
Ideal for bathroom furniture and in wall installations



AIR GAP COMPLIANT
WRAS / KIWA Reg4 approved to BS1212-4.
Meets all AG Air Gap requirements. Eliminates back-siphoning.

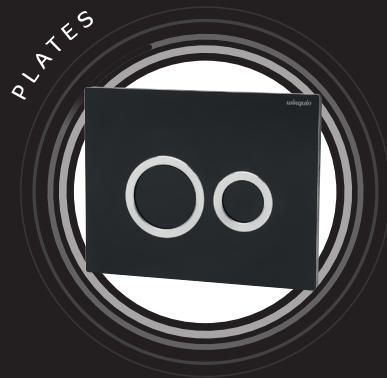


WATER SAVING DUAL FLUSH

Reference	CDC41CP-AG	CDC71CP-AG
EAN code	5017134147865	5017134147872
Packaging	Box	Box
Pallet	1/54	1/54
Outlet	2"	2"
Flush	Dual Flush Kayla - Cable	Dual Flush Kayla - Cable
Flush volumes	6/4l + 4/2.6l	6/4l + 4/2.6l
Inlet	Side Entry Jollyfill Air	Bottom Entry Jollyfill Air
Access	Front & Top	Front & Top
Internal overflow	✓	✓
Assembled	✗	✗
Button	Chrome	Chrome



WC FRAMES



CHRONO

WC FRAME CHRONO



**BS 1212-4
COMPLIANT**



*Flushing & Inlet Valve

WC FRAMES



AIR GAP COMPLIANT
WRAS / KIWA Reg4 approved to BS1212-4
Meets all AG Air Gap requirements
Eliminates back-siphoning



**UP TO 50%
TIME SAVED
WHEN INSTALLING**

INNOVATIVE TECHNOLOGY FOR A RECORD
INSTALLATION TIME

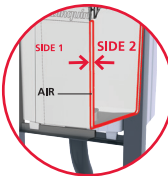


400 kg

DURABLE METALLIC STRUCTURE
Anti-corrosion coated steel, load tested to 400kg



EASY SERVICING
Large front access panel for ease of maintenance,
access also possible from the rear for service duct
installations



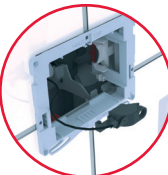
INNOVATIVE INSULATION SYSTEM
Double wall insulated tank



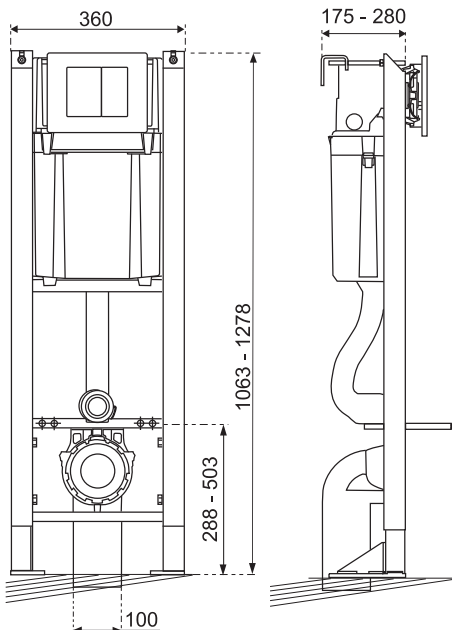
SIMPLIFIED HEIGHT ADJUSTMENT
With an integrated braking system whilst keeping
the feet in position



RAPID PAN INSTALLATION
No measurement or cutting of the flush pipe or pan
connection



TOOL FREE PLATE INSTALLATION
Simple ratchet system to automatically adjust to the
wall thickness



Description	CHRONO FRAME ONLY
Reference	50120560
EAN code	5017134147544
Pallet	01/12
Fixing	Universal
Inlet valve	WRAS Approved Delayed Action Jollyfill Air
Flush valve	WRAS Approved 2" Jollyflush, Dual Flush 6/4l

INITIO - 0.8m & 1m

WC FRAME

INITIO - 0.8M & 1M



*Flushing & Inlet Valve

**BS 1212-4
COMPLIANT**



AIR GAP COMPLIANT
WRAS / KIWA Reg4 approved to BS1212-4
Meets all AG Air Gap requirements
Eliminates back-siphoning



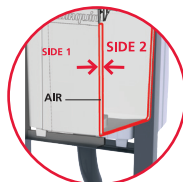
A PERFECT SOLUTION FOR THE MOST COMPACT OF SPACES



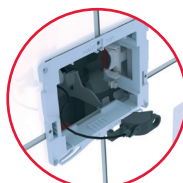
DURABLE METALLIC STRUCTURE
Lightweight and anti-corrosion coated steel, load tested to 400kg



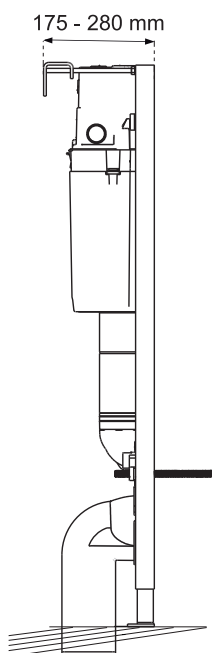
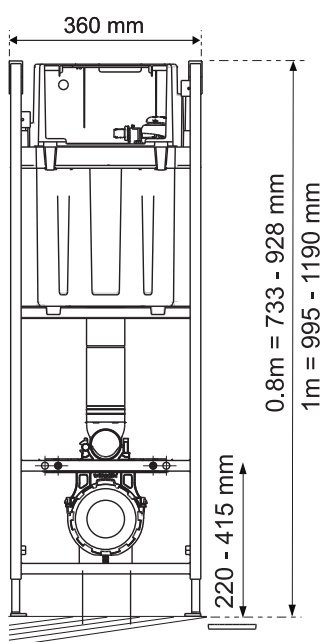
EASY SERVICING
Large front access panel for ease of maintenance, access also possible from the rear for service duct installations



INNOVATIVE INSULATION SYSTEM
Double wall insulated tank



TOOL FREE PLATE INSTALLATION
Simple ratchet system to automatically adjust to the wall thickness



Description	INITIO 0.8M - FRAME ONLY	INITIO 0.8M FRAME - INCL CHROME ESSENTIAL PLATE	INITIO 1M - FRAME ONLY	INITIO 1M FRAME - INCL CHROME ESSENTIAL PLATE
Reference	50120511	50120558	50120565	50120559
EAN code	5017134147056	5017134147520	5017134147599	5017134147537
Pallet	01/15		01/12	
Fixing	Wall Hung			
Inlet valve	WRAS Approved Delayed Action Jollyfill Air			
Flush valve	WRAS Approved 2" Jollyflush, Dual Flush 6/4l			

WC FRAMES

PLATES

WC PLATES PLATES



ESSENTIAL



Description	Shiny White
Reference	55720347
EAN code	3375537202720
Packaging	Box
Multiple / boxed quantity	01/30
Water saving	Dual Flush



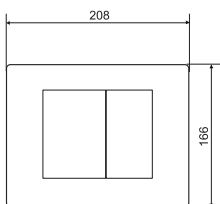
Description	Matt Chrome
Reference	55720349
EAN code	3375537202744
Packaging	Box
Multiple / boxed quantity	01/30
Water saving	Dual Flush



Description	Shiny Chrome
Reference	55950009
EAN code	6425366002460
Packaging	Box
Multiple / boxed quantity	01/30
Water saving	Dual Flush



Description	Matt Black
Reference	55722889
EAN code	3375537227716
Packaging	Box
Multiple / boxed quantity	01/30
Water saving	Dual Flush



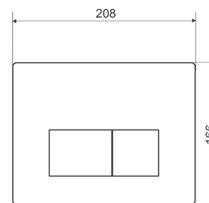
DESIGN



Description	Shiny White
Reference	55720350
EAN code	3375537202751
Packaging	Box
Multiple / boxed quantity	01/30
Water saving	Dual Flush



Description	Brushed Aluminium
Reference	55720351
EAN code	3375537202768
Packaging	Box
Multiple / boxed quantity	01/30
Water saving	Dual Flush



HOOPS



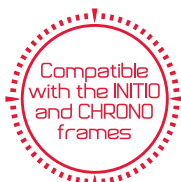
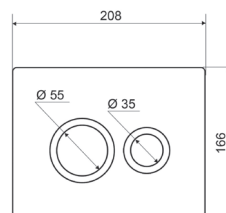
Description	Shiny White
Reference	55721304
EAN code	3375537212330
Packaging	Box
Multiple / boxed quantity	01/06
Water saving	Dual Flush



Description	Matt Black
Reference	55721306
EAN code	3375537212354
Packaging	Box
Multiple / boxed quantity	01/06
Water saving	Dual Flush



Description	Brushed Aluminium
Reference	55721305
EAN code	3375537212347
Packaging	Box
Multiple / boxed quantity	01/06
Water saving	Dual Flush

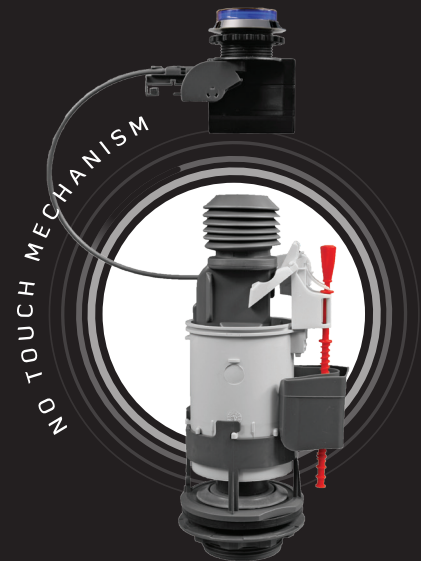
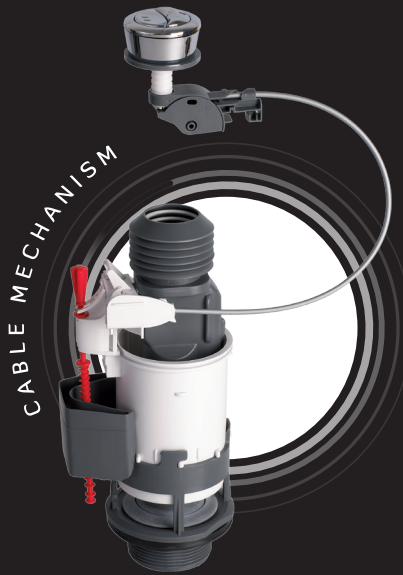


► Suitable for both domestic and commercial applications



wirquin

FLUSHING



Smiths Briten

a fresh approach to beautiful bathrooms

JOLLYFLUSH

FLUSH VALVES - CABLE OPERATED JOLLYFLUSH DUAL FLUSH



FLUSHING



WATER SAVING
 Dual flush button.



EASY INSTALLATION
 Suitable for both 1½" & 2" pan outlet.



EXTENDABLE OVERFLOW
 Easy height adjustment even once in situ.



FITS A RANGE OF LID HOLE SIZES
 Suitable for cisterns with cover holes from ø14 mm to ø46 mm.



ADJUSTABLE
 Full flush volumes.

Description	JOLLYFLUSH 1.5"/2" DUAL FLUSH VALVE INC CLOSE COUPLING WASHER AND BOLTED CLOSE COUPLING KIT	JOLLYFLUSH 1.5"/2" SINGLE FLUSH VALVE INC CLOSE COUPLING WASHER AND BOLTED CLOSE COUPLING KIT
Reference	10120446	12050002
EAN code	5017134146400	3375537160860
Packaging	Box	Bag
Multiples / Pack	08 per outer / 160 per pallet	10 per outer / 200 per pallet
Height of cisterns (mm)	300 To 420	300 to 420
Flush rate l/sec	2.2 Wras: 1.85	1.9 Wras: 1.85 (1 1/2") 2.2 Wras: 1.85 (2")
Button diameter	14 to 46 mm	14 to 46 mm
Mechanism outlet (inches)	1.5" or 2"	1.5" or 2"
Water saving	Dual flush	Single flush
Cable length	300 mm	300 mm
Top or front mechanism	Top or front	Top or front
Main characteristics	Adjustable overflow (240 To 270mm).	Ideal for people with limited mobility. Raised button for easy flush. Adjustable overflow (240 to 270mm).

WIRQUIN ONE

FLUSH VALVES - LID LOCKING WIRQUIN ONE



**FULL
AUTOMATIC
SETTING**



**NO MORE
MEASUREMENTS!
NO MORE
CUTTING!**



AUTOMATIC ADJUSTMENT
Patented system for automatic adjustment to the height of the tank. One-touch adjustment: no more measuring, no cutting!



LID LOCKING
Vandal-proof clamp system allows the lid of the tank to be locked to guarantee stability and safety.



ADJUSTABLE
Adjustment of the telescopic overflow to the desired height without cutting. Quarter turn easy adjustment even once in situ.



QUICK ASSEMBLY
Time saving mechanism, it can be installed without cutting or adjusting.



200,000 CYCLES TESTED:
over 35 years of use for a family of 4.

FLUSHING

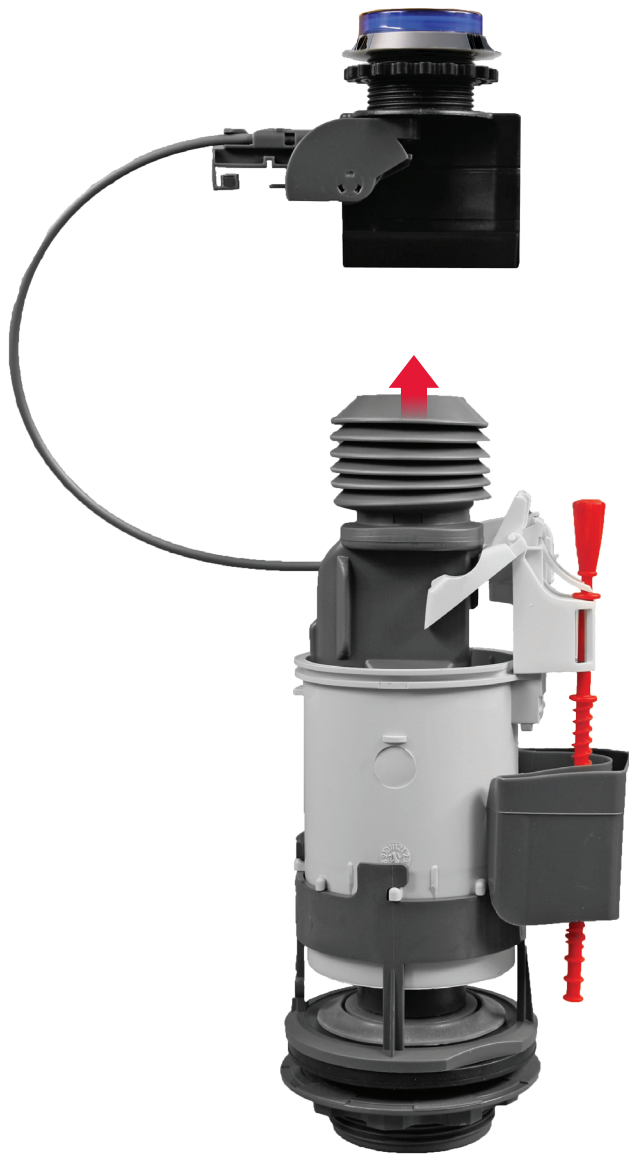


Description	WIRQUIN ONE 2" DUAL FLUSH VALVE
Reference	10120440
EAN code	5017134134247
Packaging	Box
Multiples / Pack	08 per outer / 160 per pallet
Height of cisterns (mm)	260 to 400 mm
Flush rate l/sec	2.4
Button diameter	40 mm
Mechanism outlet (inches)	2"
Water saving	Dual flush
Top or front mechanism	Top
Main characteristics	Suitable for 2" close coupled cisterns only.

JOLLYTRONIC

FLUSH VALVES - NO TOUCH

JOLLYTRONIC FLUSHING MECHANISM



**NO TOUCH
INFRA RED SENSOR**
100 % hygienic!
Ideal for reducing contamination and infection!



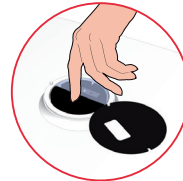
WATER SAVING ECO-STOP
Unique eco-stop flushing technology allows the end user to control the amount of water required to flush the toilet.



EASY TO INSTALL
Quick and easy to install and maintain.



FITS A RANGE OF LID HOLE SIZES
Suitable for tanks with cover holes from $\varnothing 38$ mm to $\varnothing 45$ mm.



MANUAL OVERRIDE
Manual override if batteries fail.



EXTENDABLE OVERFLOW
Suits a range of different cistern heights.



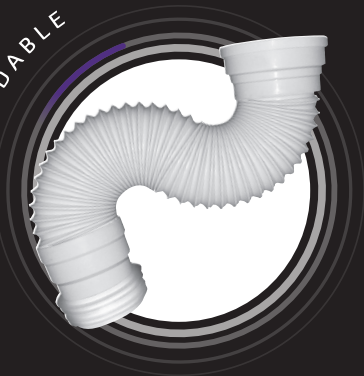
Description	JOLLYTRONIC FLUSH VALVE + NO TOUCH SENSOR	JOLLYTRONIC FLUSHING KIT WITH JOLLYFILL BOTTOM ENTRY INLET VALVE
Reference	10120021	10120022
EAN code	5017134129168	5017134129175
Packaging	Box	Bag
Multiples / Pack	08 per outer / 160 per pallet	10 per outer / 200 per pallet
Height of cisterns (mm)	300 to 420	300 to 420
Button diameter	38 to 45 mm	38 to 45 mm
Cable length	300 mm	300 mm
Main characteristics	Battery operated (4 x AA) no touch infrared flushing valve Water Saving Eco Flush, Flush rate of 1.85 l/mn Suitable for 1.5" or 2" Mechanism outlet (inches)	Battery operated (4 x AA) no touch infrared flushing valve Water Saving Eco Flush, Flush rate of 1.85 l/mn Suitable for 1.5" or 2" Mechanism outlet (inches) + Adjustable jollyfill telescopic, delayed action, inlet valve.
Contents	1 x Eco stop flushing valve and sensor button	1 x Eco stop flushing valve and sensor button 1 x Jollyfill brass bottom entry inlet valve 1 x 1.5" or 2" Close coupled bolted kit 1 x Close coupling washer



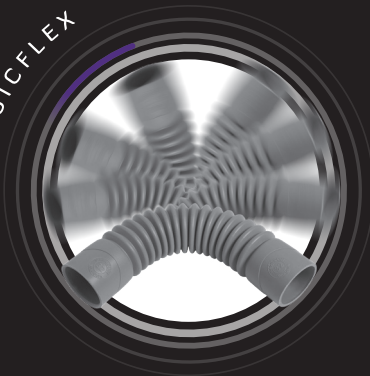
wirquin

PAN+ PIPE CONNECTORS

EXTENDABLE



MAGICFLEX



Smiths Briten

a fresh approach to beautiful bathrooms

JOLLYFLEX

JOLLYFLEX PAN CONNECTORS EXTENDABLE



PAN + PIPE
CONNECTORS



EXTENDABLE
Provides both an extendable and flexible solution



FLEXIBLE
Eliminates the need to use two different solid pipes to make a joint



PRACTICAL
Maintains the desired shape and angle of inclination

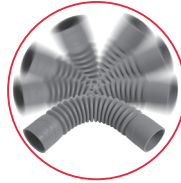
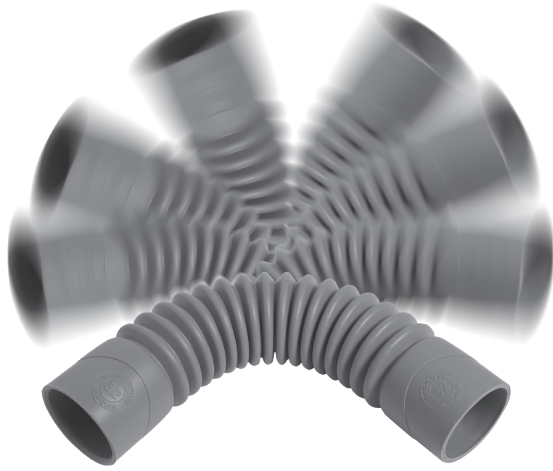


Description	JOLLYFLEX EXTENDABLE SHORT	JOLLYFLEX EXTENDABLE LONG
Reference	70120715	70120716
EAN code	5017134149098	5017134149104
Multiple / boxed quantity	01 / 15	01/15
Length mm	200 - 340 mm	300 - 640 mm
Pan outlet mm	Ø80 < Ø105	Ø80 < Ø105
Drain connector mm	Suitable for 110mm soil pipe	Suitable for 110mm soil pipe

MAGICFLEX®

PIPE CONNECTORS

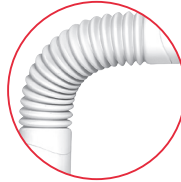
MAGICFLEX® THE FLEXIBLE PIPE CONNECTOR



NO MORE ANGLE CALCULATIONS
Thanks to its flexible structure, it can take on the desired angle from 0° to 180° and on two different levels in the space available



COMPENSATE FOR MISALIGNMENT BETWEEN TWO PIPES
It can be compressed for installation on pipes already in place, or in places with difficult access. Its flexible body absorbs contraction and expansion



MANUFACTURED IN PVC
Magicflex® connectors can resist detergents (bleach, washing-up liquid, washing powder, drain unblocker, etc.)

PAN + PIPE CONNECTORS



Description	1 1/4" WHITE	1 1/2" WHITE	1 1/4" GREY	1 1/2" GREY
Reference	79009007	79008006	79009301	79008301
EAN code	3375539051968	3375539051951	3375537127214	3375537127221
Packaging	Bulk	Bulk	Bulk	Bulk
Multiple / Box qty	10/150	10/90	10/150	10/90



wirquin

WASTES



TOURBILLON

SHOWER WASTE Ø90 TOURBILLON



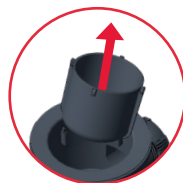
RELIABLE INSTALLATION
Overlapping washer to prevent risk of leaks



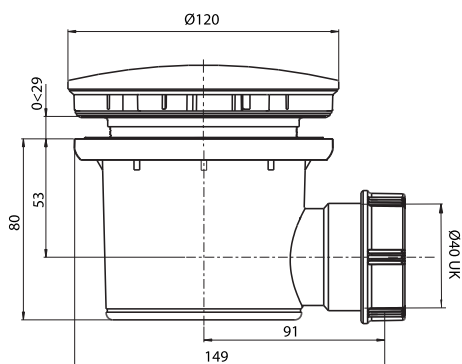
UNIVERSAL OUTLET
Compression and/or solvent weld



INSTALLATION IN ALL D90 TRAYS
Range of clamping : 0 to 29 mm.



EASY TO CLEAN
Thanks to its removable basket from above



2 IN 1 BASKET



EASY TO INSTALL
Thanks to its integrated installation tool

Description	TOURBILLON D90 CHROME DOME
Reference	30120662
EAN code	5017134148565
Packaging	Full printed Box
Multiple / boxed quantity	01 / 21
Height under tray mm	80 mm
Depth of seal mm	50 mm
Flow rate l/mn (Under 15mm of water)	27 L/mn

SLIM⁺

The *extra-flat* shower waste

EXTRA-FLAT SHOWER WASTE SLIM+

MADE IN
FRANCE

★★★
PATENTED

REGISTERED
DESIGN

YEARS
GUARANTEE
10

WASTES



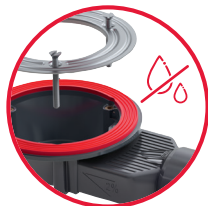
You have
the right to be
EXTRA DEMANDING



SMART
Membrane
Technology

EXTRA CLEAN

- > No more bad smells
- > Removable hair filter for easy maintenance



EXTRA RELIABLE

- > Bi-injected washers: Guaranteed 100% leakproof
- > Stainless steel screws and fixing plate



EXTRA COMPACT

- > Ideal for low profile shower trays

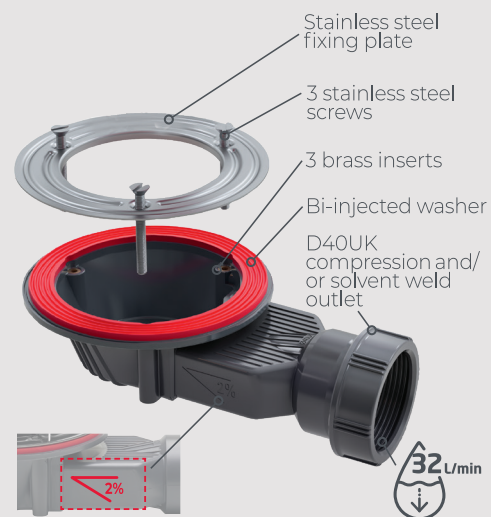


ANTI ODOUR

- > Bi-injected washer
- > The silicone membrane lets the water through and blocks bad smells



RELIABLE INSTALLATION



Integrated 2% slope for optimal drainage

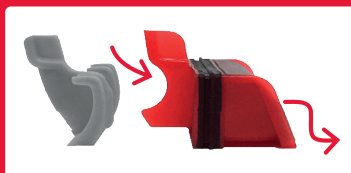
Very efficient flow rate: better than standard requirements (flow rates can vary depending on the finish).

> WARNING : Don't use silicone sealant.



SMART Membrane Technology

- > Cartridge is equipped with silicone membrane which opens when water passes and closes automatically afterwards, ensuring optimal drainage. It's external bi-injected washer guarantees a perfect seal. No more bad smells, no more pipe noises, no more back-siphoning.
- > The independent hair catcher is removable from above, without removing the cartridge for quick and easy cleaning.
- > Removable cartridge for deeper cleaning and direct access to the pipework.
- > No more chemical product needed to clean your shower waste !



SMART Membrane Technology



Prevents odours.



Eliminates noise in the pipes.



Creates natural ventilation in the pipes and prevents back-siphoning.



Removable hair catcher



Removable cartridge

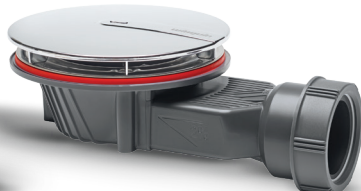


Easy cleaning

A complete range with 4 different finishes



Chrome plated ABS dome



Brushed nickel dome



Brushed stainless steel grid



Black Touch dome

Description	SLIM⁺ CHROME PLATED ABS DOME	SLIM⁺ BRUSHED NICKEL DOME	SLIM⁺ BRUSHED STAINLESS STEEL GRID	SLIM⁺ BLACK TOUCH
Reference	30723374	30723397	30723398	30723786
EAN code	3375537232574	3375537232802	3375537232819	3375537236299
Packaging	Box	Box	Box	Box
Multiple / boxed quantity	01/28	01/28	01/28	01/28

VENISIO EXPERT

WETROOM WASTE

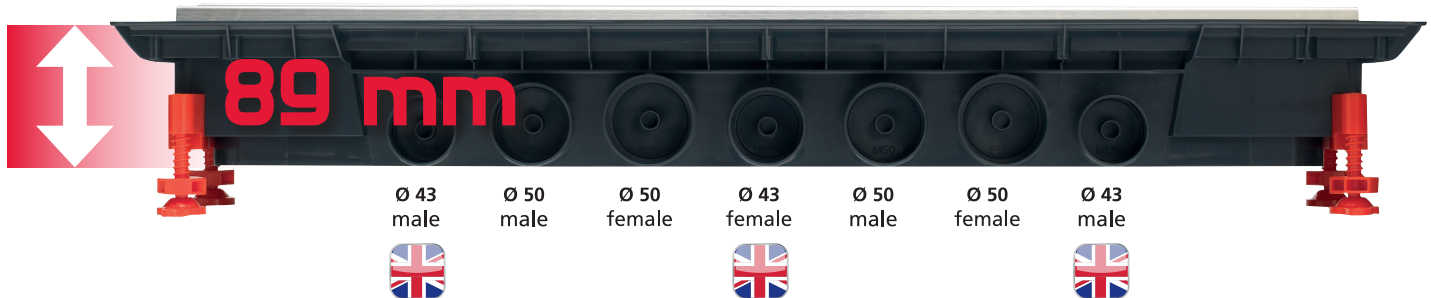
VENISIO EXPERT



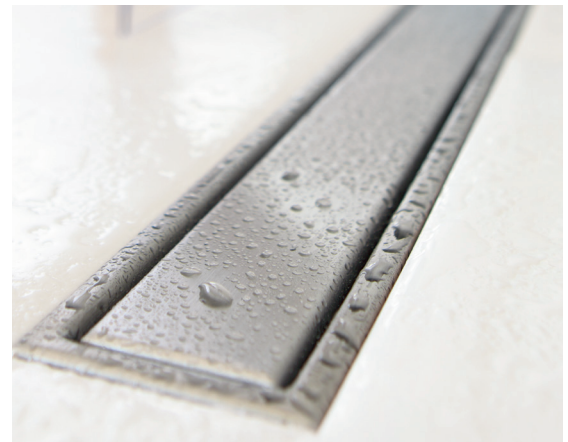
Check out our video tutorials on ASSEMBLY



700/800/900/1100mm



- › **REVERSIBLE FINISH:** Brushed stainless steel or tiled.
- › **REDUCED HEIGHT:** 89 mm under floor.
- › **WATER SEAL:** 50 mm.
- › **EASY MAINTENANCE:** With direct access to trap from above.
- › **ULTRA-FAST FLOW:** Through its multiple outlets (possibility of connecting several pipes).
- › **ADJUSTABLE FEET:** On ball joint for optimum adjustment (from 89 to 124mm).
- › **POST INSTALLATION GRID ADJUSTMENT:** To suit tile thickness from 8 to 16 mm thick).
- › **WATERPROOF:** Sheet (supplied) secured by adhesion and screws for a watertight seal.



Description	700 MM	800 MM	900 MM	1100 MM
Reference	30723958	30723959	30723960	30723961
EAN code	3375537237937	3375537237944	3375537237951	3375537237968
Packaging	Box			
Multiple / boxed quantity	01/02			
Height adjustable	89 mm - 124 mm			
Water seal	50 mm			
Flow L/mn (under 20 mm)	Up to 79 L/mn			
Outlet	2 x 43 mm male + 1 x 43 mm female			
Grid	Brushed Stainless Steel or Tile Finish			

SHOWER TRAY FEET

ACCESSORIES SHOWER TRAY FEET



ADJUSTABLE FROM 88mm to 172mm



ROBUST
Each foot withstands 450kg



HEIGHT ADJUSTABLE
From 88mm – 172mm



ACCURATE SETTING
Adjustment indicators for precision setting



STABILITY
Non-slip pad



INCREASED SAFETY
Each foot has four floor fixing points



104mm wide base: To increase reliability and easy floor installation.

Description	SHOWER TRAY FEET
Reference	30719767
EAN code	3375537196944
Packaging	Bag of 4
Multiple / boxed quantity	01/10

NANO 6.7

WASTE + TRAP IN ONE **NANO 6.7**

NANO 6.7 is a revolutionary basin waste and trap in one, equipped with Smart Membrane Technology.



*Smartly
maximise
storage space
under your basin!*

**ULTRA
COMPACT
6.7 CM**



- ULTRA COMPACT**
3 times more compact than a standard trap for maximum space under your basin
- QUICK & SAFE**
Easy clip of the body: you can do it blind and with one hand! Leak-free installation: with 1/4 turn nut with overmoulded washer
- SUITABLE FOR SLOTTED AND UNSLOTTED BASINS**
Supplied unslotted, the waste can be uncapped for use with basins with a built-in overflow
- EASY TO CLEAN**
From the top
- QUICK FLOW RATE**
30L/min

wirquin
Innovation

SMART MEMBRANE TECHNOLOGY

The new generation Wirquin Cartridge replaces the traditional water seal. Patented, it is equipped with a new silicone membrane.



> **NO SMELLS:** the cartridge is equipped with a silicone membrane which opens when water passes and closes automatically afterwards. The external bi-injected washer guarantees a perfect seal. No more bad smells, no more pipe noises, no more back-siphoning.



> **EASY TO CLEAN:** the membrane cartridge and plug are removable for quick and easy cleaning with soap and water and direct access to the pipework. It will also block insects.





BEFORE





AFTER



CHROMED FINISH



MATT BLACK FINISH

Description	NANO 6.7 QUICK CLAC BASIN WASTE + TRAP CHROME PLUG	NANO 6.7 QUICK CLAC BASIN WASTE + TRAP MATT BLACK PLUG
Reference	30724233	30724237
EAN code	3375537240609	5017134147780
Packaging		Box
Multiple / Boxed qty		1/42
Seal		
Flow rate l/mn		30 L/mn
Height under basin mm		67 mm
Slotted / Unslotted	Integrated overflow slot can be uncapped to suit installation	
Suitable for basin thickness	23-51mm	

BRASS BASIN WASTES

BASIN WASTES **BRASS BASIN WASTES**

INSTALLATION WITH STANDARD BASINS

For installation with standard basins, we offer products with standard length, slotted and unslotted and with a large choice of opening / closing system.

BENEFITS



FULL BRASS PRODUCTS

100% Chrome plated brass increasing reliability.

**CHROME
PLATED
BRASS
NSS 200h**

TOP LEVEL CHROME COATING QUALITY

All our products are compliant with the neutral salt spray (NSS) 200h test (ISO 9227) with the top level test result (Grade 10 - ISO 10289) : the guarantee against corrosion.



RELIABLE INSTALLATION

We provide a complete kit of washers, whose hardness has been specially studied to guarantee a perfect seal with the basin.



RESISTANT TO 50 000 OPEN/CLOSE CYCLES

All our quick-clac mechanisms have been tested to resist at least 50 000 opening/closing cycles.
> The guarantee of more than 34 years of use!
*



RELIABLE, QUICK AND EASY INSTALLATION

Thanks to the ergonomic (metal)nut and kit of washers included.



Guaranteed for 5 years.



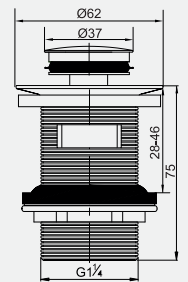
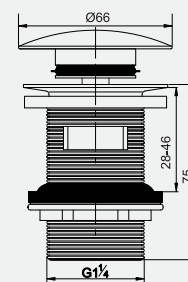
QUICK-CLAC

QUICK-CLAC INTERIOR



30120605

30120606



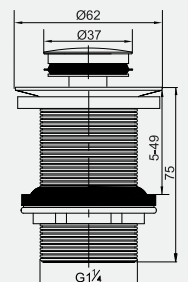
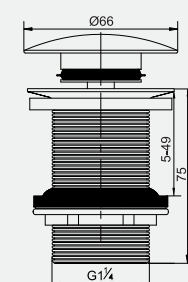
QUICK-CLAC

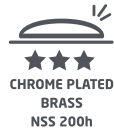
QUICK-CLAC INTERIOR



30723104

30723418






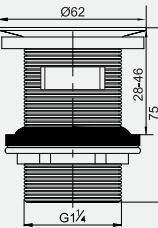
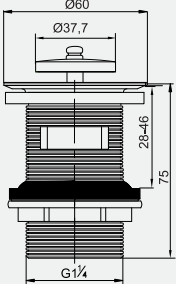
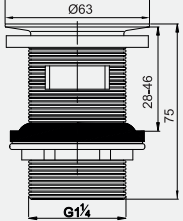
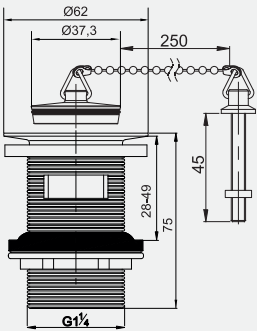
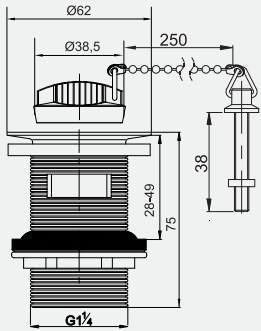




75MM SLOTTED





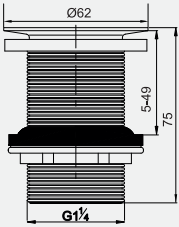
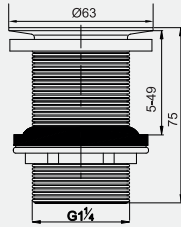
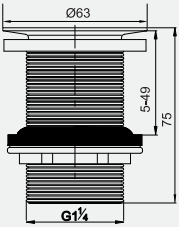
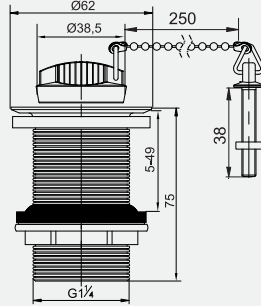
Suitable for standard basins with overflow.

WASTES

ROTARY PLUG	ANTI VANDAL	FLUSH GRATED CURVED	METAL PLUG AND CHAIN	PLUG AND CHAIN
				
30120608	30120609	30120607	30120604	30120602
				

75MM UNSLOTTED

Suitable for standard basins without overflow.

ROTARY PLUG	FLUSH GRATED CURVED	FLUSH GRATED 19 HOLES	PLUG AND CHAIN
			
30723428	30723423	30723421	30120603
			

WIRQUIN NEO AIR

BOTTLE TRAP WIRQUIN NEO AIR



NO NOISE



NO SMELLS



NO LEAKS



QUICK SAFE

Put an end to bad smells and leaks!



AIR SYSTEM Integrated ventapipe

- ✓ **ZERO** Odours
- ✓ **ZERO** Noise
- ✓ **ZERO** Siphoning

QUICK-SAFE Installation

- ✓ **ZERO** Leaks
- ✓ **ZERO** Hassle



OVERMOULDED WASHERS
Bi-injection technology means that there can be no loss of washers as the washers are always in place! This means total protection against leaks!



QUICK-SAFE FUNCTION
1/4 turn captive nut with overmoulded washers: fast and reliable installation.

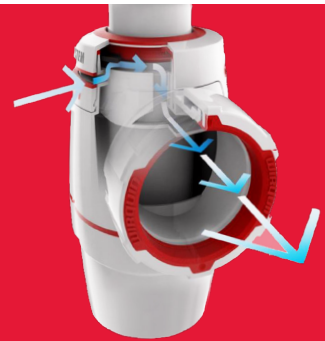


EASY CLEANING
Base is easy to dismantle (1/4 turn opening)

wirquin
Innovation

WIRQUIN NEO AIR SYSTEM WITH INTEGRATED VENTAPIPE.

- > Replaces the traditional air admittance valve (AAV) by creating natural ventilation in the pipes
- > Blocks the rise of odours.
- > Prevents noise in waste pipes.
- > Allows natural ventilation in waste pipes with no risk of de-siphoning.



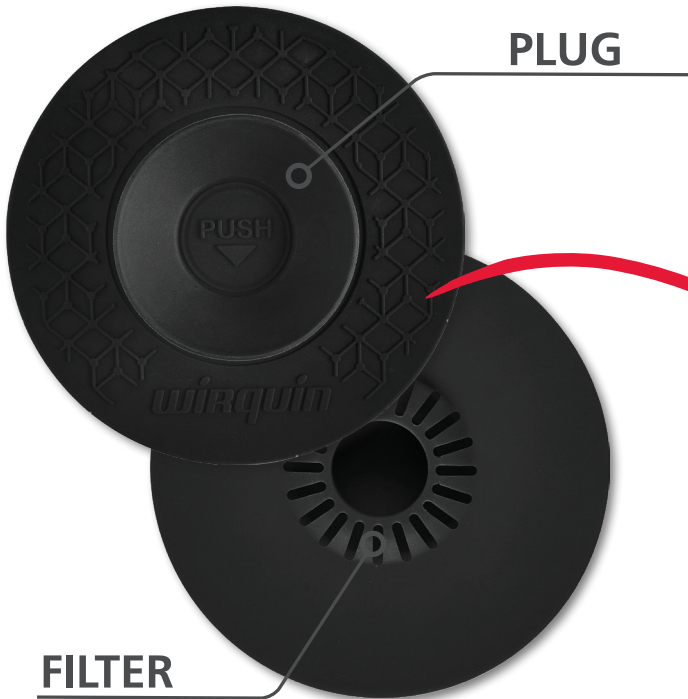
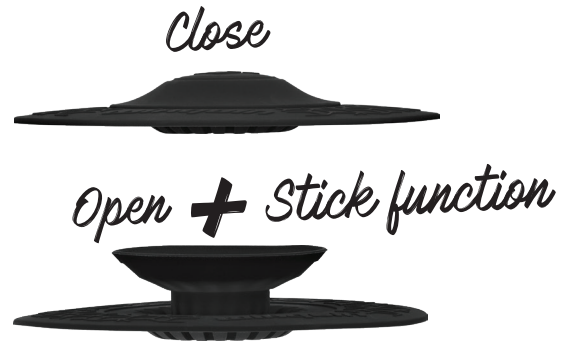
Description	1 1/4" WIRQUIN NEO AIR	1 1/2" WIRQUIN NEO AIR	1 1/2" WIRQUIN NEO AIR + WMC	FULLY ASSEMBLED POS INCLUDES 20 X 1 1/4" WIRQUIN NEO AIR
Reference	30722169	30722168	30120439	30723762

UPPY

UNIVERSAL PLUG

UPPY

2 in 1
2 YEARS GUARANTEE



- > THE SMART 2 IN 1 PLUG FOR KITCHEN AND BATHROOM!
- > 2 IN 1 PLUG: Plug with integrated basket strainer.
- > UNIVERSAL: Silicone plug with 110mm to replace plugs for bath, basin and sink .
- > EASY TO CLEAN: By simply washing it in the dishwasher.

Description	UPPY - BLACK	UPPY - WHITE
Reference	30722894	30722337
EAN code	3375537227761	3375537222575
Multiple / boxed quantity	01/42	01/42

SENZO

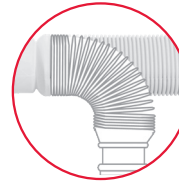
WATERLESS MEMBRANE TRAP **SENZO**



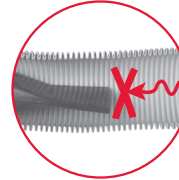
SPACE SAVING
*54mm height



SPACE SAVING
*64mm height



FLEXIBLE
Able to flex to accommodate slight misalignment of outlet pipe



WATERLESS TRAP
Silicone membrane trap guarantees no odours



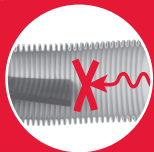
QUICK INSTALLATION
Innovative push fit



wirquin
Innovation

MEMBRANE TECHNOLOGY

WIRQUIN SENZO allows the pipes to be naturally ventilated



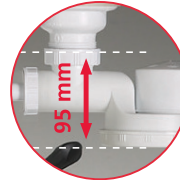
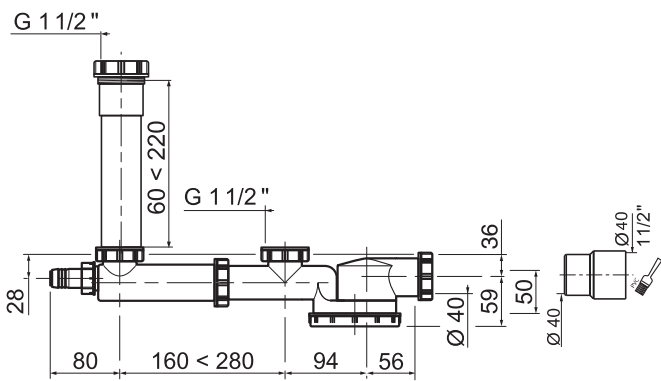
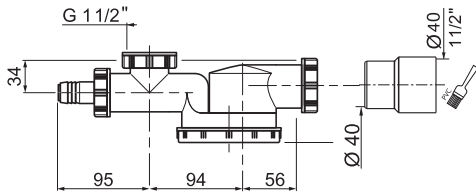
When negative pressure is created in the pipes, a vacuum is created within the piping system leading to back-siphoning of the water seal. Thanks to the membrane technology, the Wirquin SENZO cannot be back-siphoned, resulting in total protection against bad smells.

- ✓ **ZERO Odours**
- ✓ **ZERO Noise**
- ✓ **ZERO Siphoning**

Description	1 1/4" SENZO WITH 90 DEGREE ELBOW	1 1/4" SENZO FOR PEDASTAL INSTALLATION	1 1/2" SENZO WITH 90 DEGREE ELBOW
Reference	31560006	30717469*	31160005
EAN code	3375537160167	3375537174669	3375537160150
Packaging	Bag	Bag	Bag
Multiple / boxed quantity	01/50	01/35	01/40
Flow rate in l/mn (Under 15mm of water)	38 L/mn	62 L/mn (70 L/mn in vertical position)	38 L/mn
Height mm	54mm	23mm	64mm

ESPACE

SPACE SAVING SINK TRAP ESPACE



EXTRA FLAT
Only 95mm under sink



APPLIANCE SPIGOT
Washing machine/dishwasher connection with non-return valve



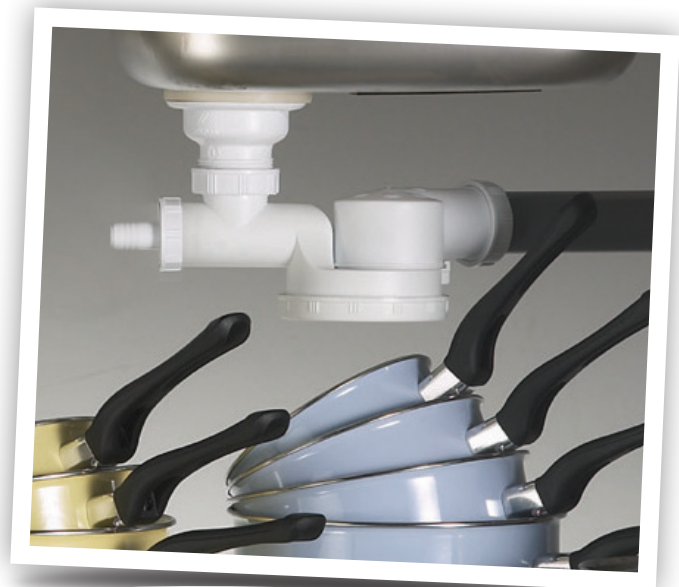
SWIVELLING OUTLET
Easy to align to pipework



EASY CLEAN
Removable cap



50MM WATER SEAL



Description	ESPACE 1 BOWL	ESPACE 1 1/2" 2 BOWLS
Reference	31000201	33000203
EAN code	3375539056192	3375539056253
Packaging	Bag	Bag
Multiple / Box qty	01/27	1/30
Depth of seal mm	50 mm	50 mm

DESIGNER BRASS

BASIN WASTE AND TRAP

DESIGNER BRASS

YEARS
GUARANTEE
2

WASTES

A modern and trendy design to enhance your bathroom. Quality combined with easy installation and maintenance.



1



2

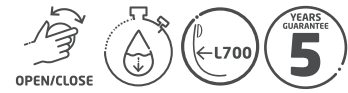


Description	1.25" QUICK-CLAC BRASS WASTE	1.25" DESIGN BRASS BOTTLE TRAP
Reference	30722869	30722858
EAN code	3375537227518	3375537227419
Packaging	Box	Box
Multiple / boxed quantity	01/32	01/15
Depth of seal	N/A	10mm

SB600 + ELTON

CABLE WASTE

SB600 + ELTON



CABLE OPENING-CLOSING SYSTEM
90° rotation with unique clutch control operation



700 MM CABLE LENGTH
With high resistance stainless steel cable inside the overflow tube to avoid damage during installation



SPACE SAVING COBRA TRAP
Only 108mm under bath



FASTEST FLOW RATE ON THE MARKET
63 L/m



SELF CLEANING TRAP
Guaranteed not to block

Description	SB600	ELTON
Reference	34590301	30717610
EAN code	3375539056215	3375537175901
Packaging	Box	Box
Multiple / boxed quantity	01/12	01/12
Overflow length mm	700 mm	700 mm
Handle	Metal chrome plated	ABS chrome plated
Plug	Metal chrome plated	Metal chrome plated
Technical drawing		

WASTES



wirquin

TOILET SEATS

DESIGN



MATERIAL



HINGE STYLE



Smiths Briten

a fresh approach to beautiful bathrooms



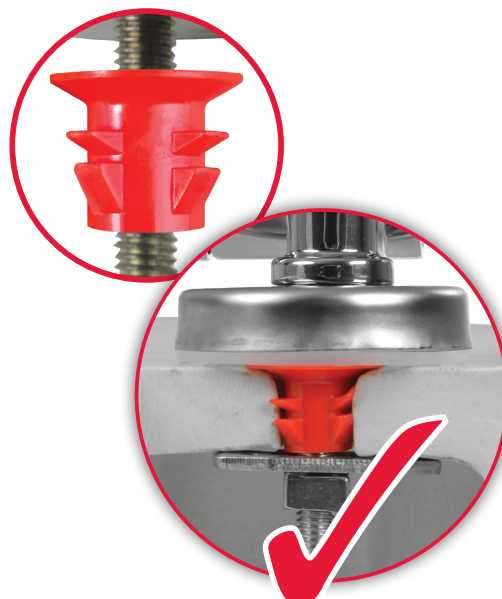
HOLDS THE SEAT IN PLACE!



- > SECURE YOUR SEAT
- > STOP SEAT MOVEMENT
- > INCREASE SEAT LIFESPAN





GAP BETWEEN THE PAN AND BOLT LEADS TO A LOOSE SEAT




LOCK + FILLS THE GAP, PREVENTING MOVEMENT

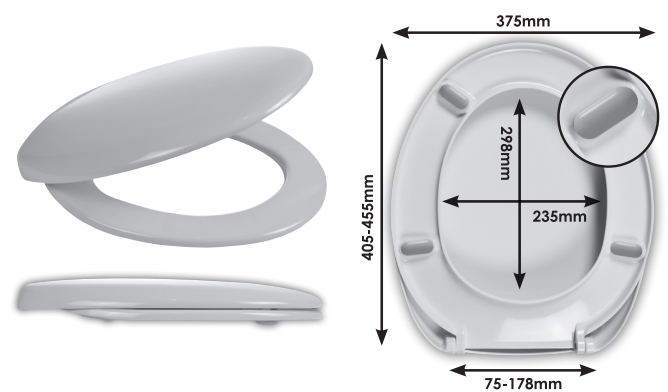
NOW AVAILABLE AS A SPARE

Please note, you should refer to individual seats to consider if LOCK+ is compatible. LOCK+ is only compatible when specified and we do not guarantee the fit outside of the specifications.



DESCRIPTION	REFERENCE	MULTIPLE	APPLICATION
 Red LOCK+	20120454	15 pairs per bag	6mm Ø bolts
 White LOCK+	20120455	15 pairs per bag	8mm Ø bolts

SEAT FUSION

Reference	20120354
EAN code	5017134133080
Packaging	Individually boxed
Multiples / Pack	05 per outer / 100 per pallet
Weight	1,7 kg
Hinge Feature	Top Fix, Soft Close
Hinge material	Stainless Steel
	
Features and benefits	<ul style="list-style-type: none"> Resilient: extremely strong, durable, and hard wearing thermoset material Resistant to scratches, UV and chemicals Hygienic: made of naturally antibacterial material Ideal for contract purposes for medium to high traffic areas



SEAT VIP

Reference	20120356	20120357
EAN code	5017134133103	5017134133110
Packaging	Individually boxed	
Multiples / Pack	05 per outer / 100 per pallet	
Weight	2,3 kg	
Hinge Feature	Top Fix	Top Fix, Soft Close
Hinge material	Stainless Steel	
		
Features and benefits	<ul style="list-style-type: none"> Resistant to scratches, UV and chemicals Resilient: extremely strong, durable, and hard wearing thermoset material Hygienic: made of naturally antibacterial material 	

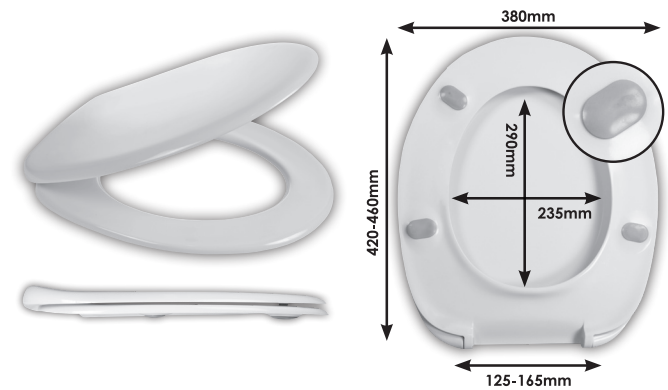




DIAGRAM - 20120356*

*Refer to our website for other seat dimensions

SEAT MADRIDIO

Reference	SMB1TWH	20120262
EAN code	5055294430229	5017134132601
Packaging	Individually boxed	
Multiples / Pack	05 per outer / 100 per pallet	
Weight	2,1 kg	
Hinge Feature	Top Fix	Top Fix, Soft Close
Hinge material	Stainless Steel	
		
Features and benefits	<ul style="list-style-type: none"> Resilient: extremely strong, durable, and hard wearing thermoset material Resistant to scratches, UV and chemicals Hygienic: made of naturally antibacterial material 	

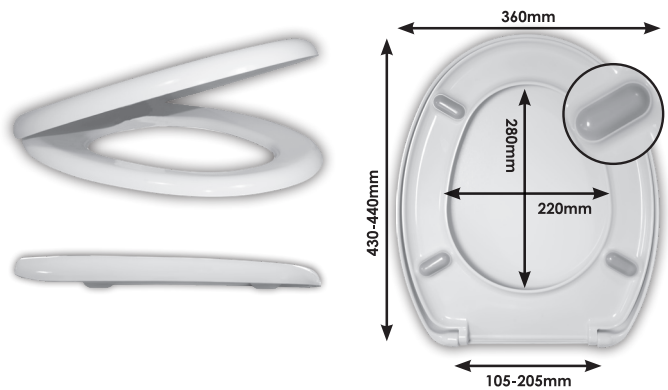
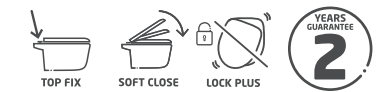





DIAGRAM - SMB1TWH*

*Refer to our website for other seat dimensions

SEAT MELODY

Reference	20120349	20120350	20120351
EAN code	5017134133035	5017134133042	5017134133059
Packaging	Individually boxed		
Multiples / Pack	05 per outer / 100 per pallet		
Weight	1,3 kg		
Hinge Feature	Bottom Fix		Top Fix
Hinge material	Plastic	Stainless Steel	Stainless Steel
			
Features and benefits	<ul style="list-style-type: none"> • Resistant to scratches, UV and chemicals • Resilient: extremely strong, durable, and hard wearing thermoset material • Hygienic: made of naturally antibacterial material • Ideal for contract purposes for medium traffic areas • Plastic or 304 stainless steel hinge material available 		

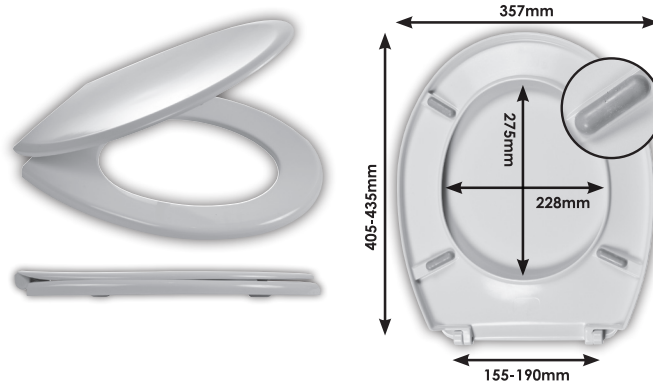





DIAGRAM - 20120349*

*Refer to our website for other seat dimensions

SEAT FLAMENCO

Reference	20120361	20120362	20120363
EAN code	5017134133158	5017134133165	5017134133172
Packaging	Individually boxed		
Multiples / Pack	05 per outer / 100 per pallet		
Weight	1,3 kg		
Hinge Feature	Bottom Fix		Top Fix
Hinge material	Plastic	Stainless Steel	Stainless Steel
			
Features and benefits	<ul style="list-style-type: none"> • Material: Thermoplastic • Shatterproof and 100% recyclable material • Plastic or stainless steel hinge material available 		

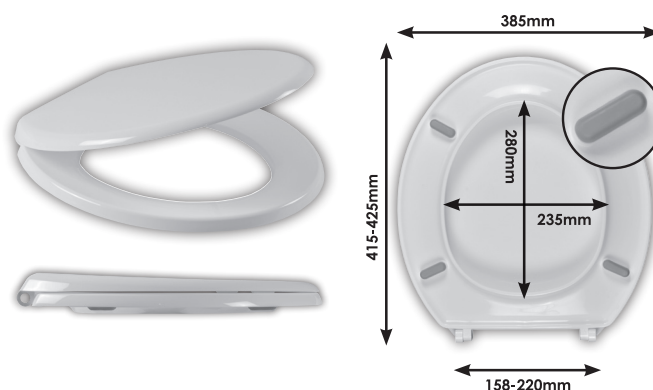





DIAGRAM - 20120361*

*Refer to our website for other seat dimensions

SEAT MAESTRO

Reference	20120358	20120359	20120360
EAN code	5017134133127	5017134133134	5017134133141
Packaging	Individually boxed		
Multiples / Pack	05 per outer / 100 per pallet		
Weight	2,3 kg		
Hinge Feature	Bottom Fix	Top Fix	Top Fix, Soft Close, Quick Release
Hinge material	Stainless Steel	Stainless Steel	Stainless Steel
			
Features and benefits	<ul style="list-style-type: none"> • Resilient: extremely strong, durable, and hard wearing thermoset material • Semi Wrap over D shape design • Resistant to scratches, UV and chemicals • Hygienic: made of naturally antibacterial material • Ideal for blind hole pans with the top fix option 		

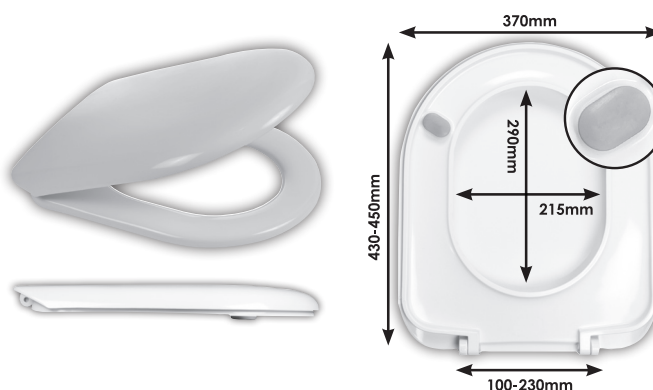


DIAGRAM - 20120358*

*Refer to our website for other seat dimensions



wirquin

PLUMBING - SANITARYWARE

WIRQUIN LTD

Unit 3, Alpha Court, Capitol Park, Thorne, DN8 5TZ - UK
T: +44(0) 333 222 4488 | Email: sales@wirquin.co.uk



www.wirquin.co.uk



Smiths Briten

a fresh approach to beautiful bathrooms

Smiths Briten

Unit 2 Blackrod Interchange, Station Road, Bolton BL6 5JE
Tel : 01204 695411
Email : sales@smithsbriten.co.uk