

AQUALISA®



Connect with your shower



EXPLORE

2 WELCOME TO AQUALISA®

8 SMART SHOWERS

- 14 QUARTZ TOUCH™
- 18 QUARTZ CLASSIC™
- 22 QUARTZ BLUE™
- 26 ISYSTEM™

30 MIXER SHOWERS

- 32 DREAM™ - SQUARE
- 34 DREAM™ - ROUND
- 36 AQUATIQUE™
- 38 MIDAS™ 220 - CHROME
- 40 MIDAS™ 220 - MATT BLACK
- 42 MIDAS™ 220 - MATT WHITE
- 44 MIDAS™ 110
- 46 AQUASTREAM™ POWER SHOWER

48 ELECTRIC SHOWERS

- 50 LUMI™+
- 54 EVOLVE™

58 TAPS

- 60 DOWNTOWN™ - CHROME
- 61 DOWNTOWN™ - BLACK
- 62 UPTOWN™
- 63 CENTRAL™

64 TECHNICAL INFORMATION

66 SMART SHOWERS

- 66 QUARTZ TOUCH™
- 70 QUARTZ CLASSIC™
- 76 QUARTZ BLUE™
- 80 ISYSTEM™

84 MIXER SHOWERS

- 84 DREAM™ - SQUARE
- 86 DREAM™ - ROUND
- 88 MIDAS™ 220 - CHROME
- 90 MIDAS™ 220 - MATT BLACK
- 92 MIDAS™ 220 - MATT WHITE
- 94 MIDAS™ 110
- 96 MIDAS™ 100
- 98 AQUATIQUE™
- 100 AQUAVALVE™ 700
- 102 DREAM™ DL
- 102 ASPIRE™ DL
- 104 SIREN™ SL
- 104 COLT™
- 106 AQUAVALVE™ 609
- 108 AQUASTREAM™

110 ELECTRIC SHOWERS

- 110 LUMI™+
- 112 EVOLVE™

114 TAPS

- 114 DOWNTOWN™ TAPS - CHROME
- 114 DOWNTOWN™ TAPS - BLACK
- 116 UPTOWN™ TAPS
- 118 CENTRAL™ TAPS

120 COMPARISON CHARTS

128 CHOOSING YOUR SHOWER

130 BATHROOM MAKEOVERS

132 WATER SAVING INNOVATIONS

133 CONTACT US



EXPERIENCE

Every shower is a personal experience.
A boost in the morning, or a soothing and
relaxing way to end the day. Sensory or restorative.
Calming or invigorating. We believe that a shower
should be perfect every time, even if
every time is different.



INNOVATE

At Aqualisa® we are pioneers. We designed the first smart shower more than 20 years ago, making it simple to have the shower you want. Digital technology enables intuitive and precise controls. Safe, reliable performance at the touch of a button – or simply controlled by your voice. Your experience is at the core of our innovation.

SMART SHOWERS



Our smart showers combine intelligent, personalised, eco-friendly features with the option to control with the Aqualisa® app, remote or your voice.

SMART SHOWER RANGES	08
TECHNICAL INFORMATION	66

MIXER SHOWERS



Choose from a wide selection of high-performance mixer showers featuring stylish designs and colourways to suit every interior.

MIXER SHOWER RANGES	30
TECHNICAL INFORMATION	84

ELECTRIC SHOWERS



Simple to use, our safe and environmentally-friendly electric showers deliver a powerful experience with no demand on your hot water supply.

ELECTRIC SHOWER RANGES	48
TECHNICAL INFORMATION	110

BATHROOM TAPS



Available in an array of styles, colours and finishes, complete your bathroom design with our stunning collection of taps.

TAP RANGES	58
TECHNICAL INFORMATION	114

SMART SHOWERS

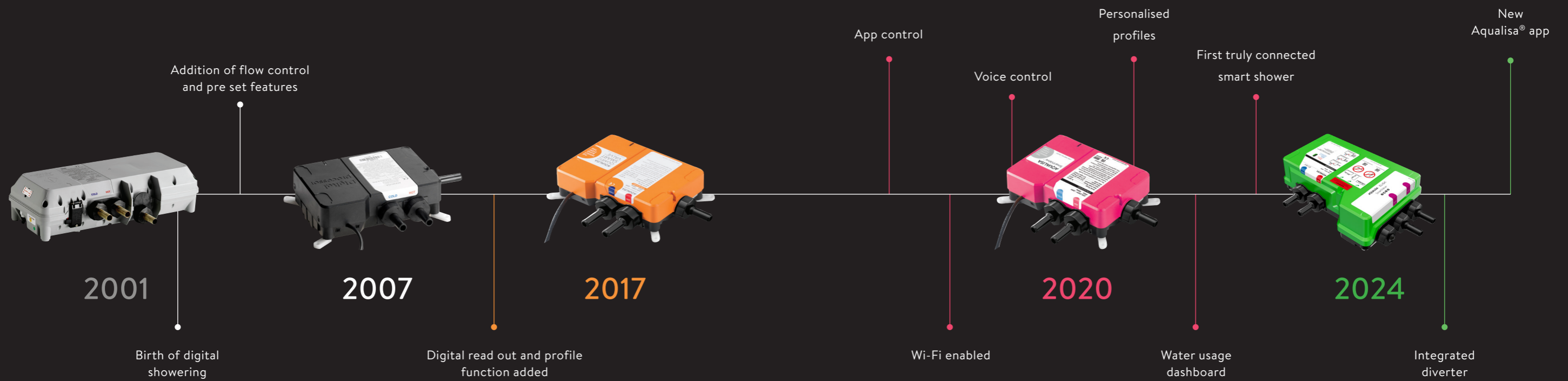
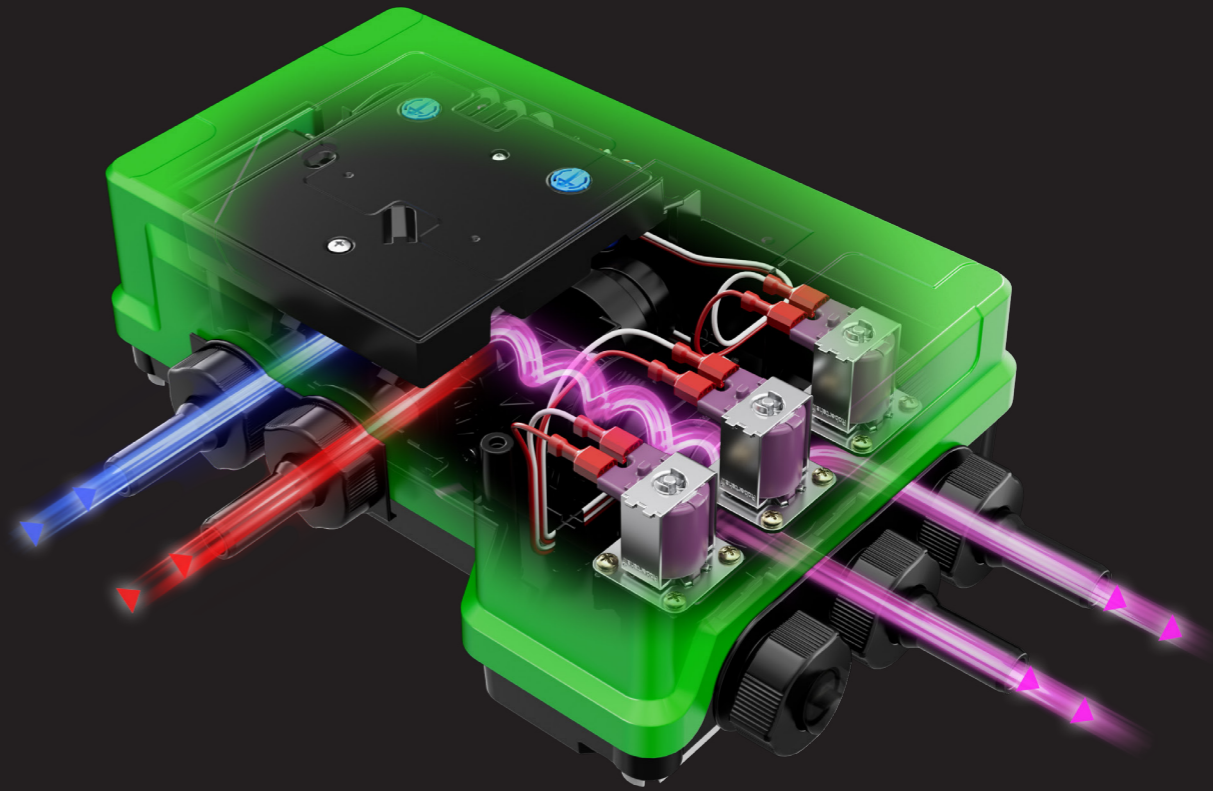
Connect with your shower

Intelligent yet extremely simple to use. Aqualisa® smart showers deliver everything you need for a personalised showering experience. Safe for all the family, they ensure a precise temperature every time. Activated by voice, by the Aqualisa app or remote control, you can connect with your shower in the way that suits you.

And don't forget, they're eco-friendly, too.



EVOLUTION OF THE SMARTVALVE™



Smart showers put you in control

Choose to control your smart shower in multiple ways, using the dedicated Aqualisa® app, a remote control, one-touch buttons or even with your voice.



Precise temperature and performance

Our SmartValve™ checks and regulates the temperature of the water 10 times every second.



Eco friendly

Our Harmony™ heads, supplied with most of our smart showers, allow you to make up to 25% water savings. The SmartValve™ in our smart showers can be set to 'eco' mode capable of reducing water flow by up to 33%, or as little as 5 litres per minute.



Smart and simple installation

The Aqualisa® SmartValve™ can be fitted up to 7.5 metres away from your shower. Whether located under the bath, in the airing cupboard or up in the loft, it is easy to install, connect and set up.



Works with any water system

Compatible with all standard UK water systems, the gravity option comes with an integrated shower pump.



Saves water and money

With the Aqualisa® App, you can monitor the water you and your family uses each day, saving money and helping the environment too.



Ultimate control

Control your smart shower using the Aqualisa® App, remote control, one-touch buttons or even with your voice.



Personalisation

Select from pre-set profiles for temperature, duration and flow. Quartz Touch™ allows you to create your own personalised settings.



Seamless set up

Connecting seamlessly to your Wi-Fi & Smart home system. Voice activation enabled.



Usage dashboard

App allows you to track your estimated water usage.



Up to 5 year guarantee when registered

Valve: 5 year parts and labour guarantee.
Kit: 2 year parts and labour guarantee.

See the smart shower collection on pages 8-29



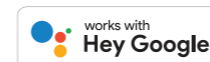


QUARTZ TOUCH™

Smart showers

Our smartest shower yet. Intuitive and full of clever features, choose Quartz Touch™ to meet your individual needs. Build a profile for each family member, and step into a shower that's always at the right temperature and flow. Track the water you use, and be a little kinder to the planet.

“Alexa, turn on my shower”



More information about smart showers on page 12

QUARTZ TOUCH™

Smart showers

- Fully personalised showering experience, including water temperature, duration and flow
- Control using voice activation, Aqualisa® app or wireless remote
- Simple and intuitive touch screen LCD display
- Auto 'wake-up' feature for added convenience
- Eco-friendly mode to help save water
- Monitors your estimated water usage



Full range and more details on page 66



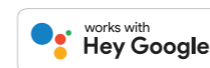


QUARTZ CLASSIC™

Smart showers

With modern classic styling and intelligent controls, this shower connects seamlessly to your smart home system. It's packed with options for a personalised, environmentally-friendly shower experience you can enjoy every day. With a clear LED display to indicate that the shower is ready, use the Aqualisa® app, remote or your voice to easily control every feature.

“Alexa, turn on my shower”



More information about smart showers on page 12



QUARTZ CLASSIC™

Smart showers

- Modern classic styling to complement all interiors
- Clear, intuitive LED display shows the chosen temperature has been reached
- Simple activation using the Aqualisa® app, voice or remote control
- Eco-friendly mode to help save water
- Monitors your estimated water usage



ALL
SYSTEMS



VOICE
CONTROL



WIFI



USAGE
DASHBOARD



5
YEAR
GUARANTEE

Full range and more details on page 70

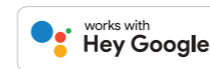


QUARTZ BLUE™

Smart showers

The perfect introduction to smart showering. Despite its minimalist design, the Quartz Blue™ delivers a host of high-tech features. Activate by one-touch button, using the Aqualisa® app, or simply using your voice. A clear LED display will let you know when your temperature and flow have been reached.

“Alexa, turn on my shower”



More information about smart showers on page 12



QUARTZ BLUE™

Smart showers

- Minimalist design and simple controls
- Clear LED display shows the chosen temperature has been reached
- Simple activation using the Aqualisa® app, voice or one-touch control
- Eco-friendly mode to help save water
- Monitors your estimated water usage



ALL SYSTEMS



VOICE CONTROL



WIFI



USAGE DASHBOARD



5 YEAR GUARANTEE

Full range and more details on page 76

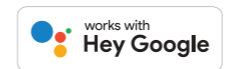


ISYSTEM™

Smart showers

A striking, modern design with premium metal controls combined with the latest in smart showering technology for all the family. Versatile and easy to install, this contemporary shower optimises space in the bathroom and adds a sophisticated touch. Control by voice, Aqualisa® app or optional remote for ultimate flexibility.

“Alexa, turn on my shower”



More information about smart showers on page 12

ISYSTEM™

Smart showers

- Minimalist, contemporary styling and easy to install
- Simple activation using the Aqualisa® app, voice or one-touch control
- Clear LED display shows the chosen temperature has been reached
- Eco-friendly mode to help save water
- Monitors your estimated water usage



Full range and more details on page 80



MIXER SHOWERS

Suit your style

Stylish, powerful, trusted and reliable. Choose from multiple designs, colours and finishes in our extensive mixer shower collection. Whether cutting-edge, contemporary or classic in styling, all models feature our safe thermostatic technology for added peace of mind. Choose from a wide range of designs and features to suit every home.





DREAM™

Square concealed thermostatic mixer

Sophisticated and built to last, the Dream™ square range guarantees safe operation for all the family. Each model features smooth-turn dials and an array of shower modes for a premium showering experience. Equipped with a concealed, one-piece solid brass valve for a smooth and discreet finish to complement any modern bathroom décor.

- Constructed from solid brass for durability and strength
- Thermostatic control ensures added safety
- Sleek concealed design with slim push-fit metal wall plate
- Classic chrome finish and modern square controls



ALL
SYSTEMS



BRASS
BODY



5
YEAR
GUARANTEE

Full range and more details on page 84

DREAM™

Round concealed thermostatic mixer

Dream™ round mixer shower delivers both safety and performance. A solid brass body ensures outstanding durability, while the classic round design will add a touch of classic luxury to any bathroom style. Equipped with a chrome-plated PinchGrip™ handset holder for ease of use and a slim push-fit wall plate for an elegant finish.

- Constructed from solid brass for durability and strength
- Thermostatic control ensures added safety
- Sleek concealed design with slim push-fit metal wall plate
- Stunning chrome finish and classic round controls
- Multi-function handset includes eco-mode to help save water



Full range and more details on page 86





AQUATIQUE™

Heritage style mixer shower

This luxury heritage-style mixer shower exudes sophisticated elegance. Its traditional design combined with solid brass construction make it a stunning addition to any classic bathroom or shower space. Select from exposed or concealed options and either chrome or gold finishes for an individual look and feel. Features Aqualisa's unique bi-metallic coil for thermostatic precision and reliable performance.

- Solid brass shower valve for durability
- Thermostatic control ensures added safety and precision
- Automatic cut-off for extra reassurance
- Choice of chrome or gold finish



ALL
SYSTEMS



BRASS
BODY



3
YEAR
GUARANTEE



THERMACOIL™

Full range and more details on page 98

MIDAS™ 220

Bar valve mixer showers – chrome

An iconic bathroom classic, this chrome-finish shower adds a timeless feel with a modern twist. Made from solid brass for longevity and reliability, the safe-touch valve ensures a safer showering experience for all. Thermostatic technology adds extra peace of mind.

- Iconic and trusted design
- High-quality brass construction
- Safe-touch technology ensures added safety
- Precise thermostatic temperature control



*Single outlet models compatible with all water systems shower column and bath shower mixer models require HP water systems

Full range and more details on page 88





MIDAS™ 220

Bar valve mixer showers – matt black

Making a bold, contemporary statement, the Midas™ 220 in a matt black finish adds depth and definition for a truly modern bathroom experience. Iconic Midas™ styling is complemented by safe-touch technology and full flow control. Built from solid brass, with thermostatic precision.

- Iconic, trusted design now available in matt black
- Constructed from solid brass
- Safe-touch technology
- Precise thermostatic temperature control
- Five spray patterns for a personalised shower experience



*Single outlet models compatible with all water systems shower column and bath shower mixer models require HP water systems

Full range and more details on page 90



MIDAS™ 220

Bar valve mixer showers – matt white

Breathe light into your bathroom colour scheme with the Midas 220™ in matt white finish. Bright and crisp in design, it is ideal for pairing with soft pastels and textures, or adding a contrast to stronger colourways. Beautifully crafted from solid brass, with safe-touch technology and precise thermostatic control.

- Iconic, trusted design now available in matt white
- Constructed from solid brass
- Safe-touch technology
- Precise thermostatic temperature control



*Single outlet models compatible with all water systems shower column and bath shower mixer models require HP water systems

Full range and more details on page 92



MIDAS™ 110

Bar valve mixer showers - chrome

Created with a slimline form factor and safe-touch technology, the Midas 110™ is the perfect choice for any family bathroom or shower room. All-metal controls ensure long life and optimum reliability. Further safety is assured thanks to the integrated temperature override button. A smart chrome finish makes it ideal for both contemporary and classic interiors.

- Slimline bar valve is the perfect match for any family bathroom
- Precise thermostatic control, safe-touch and temperature override ensure ultimate safety
- All-metal construction for dependability and reliability



*Single outlet models compatible with all water systems shower column and bath shower mixer models require HP water systems

Full range and more details on page 94

AQUASTREAM™

Power shower

Discover truly powerful performance with Aquastream™. Designed specifically for gravity systems, this ergonomic thermostatic power shower, with its own integrated booster pump, delivers an exceptional showering experience. Choose from two flow rates: 10 litres or 18 litres per minute.

- Two flow settings for an invigorating shower experience
- Separate flow and temperature controls
- Eco spray setting helps to save water
- Three colour options: white, white/chrome and satin chrome
- Integrated booster pump for added power



Full range and more details on page 108



ELECTRIC SHOWERS

Ready when you are

Designed for environmentally-friendly, energy-efficient showering, the Aqualisa® electric shower line-up delivers a powerful experience with no demand on your hot water supply. Simply switch on for an instantly exhilarating shower with no wasted energy. So it's kinder to the planet – and to your pocket.



LUMI™

Electric showers

Pushing the boundaries of electric shower design, the stylish mirrored fascia and integrated light strip add a unique sensory experience that elevates instantaneous electric showering beyond its everyday functional advantages.



Full range and more details on page 110



LUMI+[™]

Electric showers

Light variations up and down the vertical strip visually indicate when the shower is turning on or off and flashing will alert on low water pressure issues or whenever the over temperature safety control is activated.

- Three alternative power setting
- Harmony handset with 5 spray patterns
- Available at 8.5, 9.5 and 10.5kW ratings*



Full range and more details on page 110

eVOLVE™

Electric showers

Streamlined and stylish, eVOLVE™ delivers the latest in electric shower innovation. Thanks to three power options, all A-rated for energy efficiency, simply choose the model to suit your family's needs. Each shower gives you full control over both temperature and power. Flexible to fit with eight water and six electric entry points for effortless installation – as well as easy replacement of any existing brand of shower.

Full range and more details on page 112





eVOLVE™

Electric showers

Engineered for safety and durability, eVOLVE™ is equipped with an over-temperature protection system. A digital display clearly shows the temperature at all times, while the low pressure indicator will alert you should the water pressure fall. The clever phased shut-down technology minimises limescale build-up for long product life.

- Slimline and stylish with three colour choices to complement every bathroom design
- Latest innovation in electric showering provides full temperature and power control
- Eight water and six electric entry points for flexible installation
- Over-temperature protection for maximum safety
- Convenient low pressure indicator
- Phased shut-down technology minimises limescale



Full range and more details on page 112

BATHROOM TAPS

Complete the look

Whether an entirely new installation or a carefully-constructed renovation project, complete your bathroom or ensuite with our vast collection of premium taps. Angled or curved, traditional or state-of-the-art, ergonomic or ageless, our taps add a hint of class and refinement to any bathroom design.





DOWNTOWN™

Chrome taps

A blend of flawless chrome finish with a subtle, soft square design, Downtown™ taps are an elegant, minimalist choice for a refined bathroom space. Crafted from brass with a zinc handle finish, these stunning taps pair perfectly with our Midas™ 220 shower in chrome.

- Constructed from brass with zinc handles for durability
- Beautiful soft square design
- Finished in classic chrome



Full range and more details on page 114

DOWNTOWN™

Matt black taps

Add some striking contrast to your bathroom with our bold matt black Downtown™ taps. Featuring a timeless, soft square design, these premium taps will make an impact and deliver a strong, sophisticated look your visitors won't be able to ignore. These eye-catching taps pair perfectly with our Midas™ 220 shower in matt black.

- Constructed from brass with zinc handles for durability
- Beautiful soft square design
- Contemporary matt black finish



Full range and more details on page 114



UPTOWN™

Chrome taps

Elegant and timeless, the Uptown™ collection pairs seamlessly with a wide array of interior styles. Boasting a fully brass body with zinc handles, these graceful taps operate smoothly in the hand thanks to the sleek pin lever controls. Finished in classic chrome.

- Simple, elegant and ageless in design
- Sleek pin lever controls for straightforward operation
- Constructed from brass with zinc handles for optimum durability



Full range and more details on page 116

CENTRAL™

Chrome taps

Delicate yet durable, the Central™ collection features a quintessential mirror chrome finish, adding a touch of sophisticated charm to any bathroom décor. The curved, ergonomic design makes them effortless to use, while the aerated operation delivers a softer, non-splash flow. Built from brass with zinc handles for ultimate quality.

- Curved, ergonomic form factor
- Premium brass body with zinc handles
- Aerated design for a soft, non-splash flow



Full range and more details on page 118

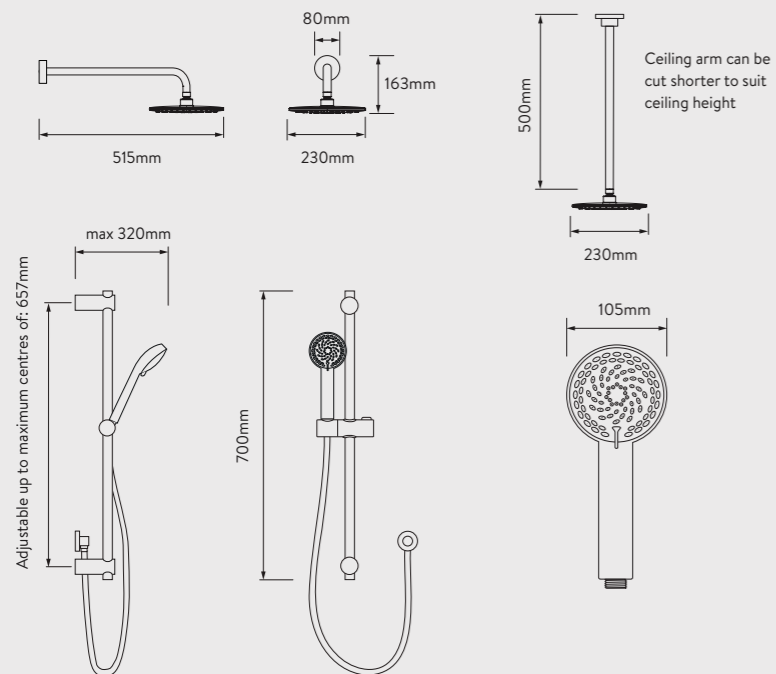


Aqualisa® Thermacoil™, the groundbreaking thermostatic technology

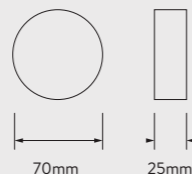
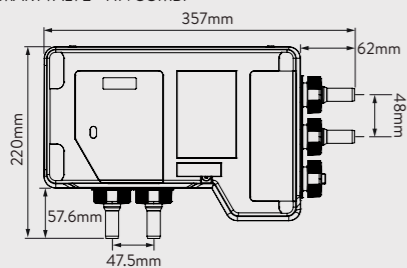
DIMENSIONS
SPECIFICATIONS
INFORMATION

QUARTZ TOUCH™ CONCEALED

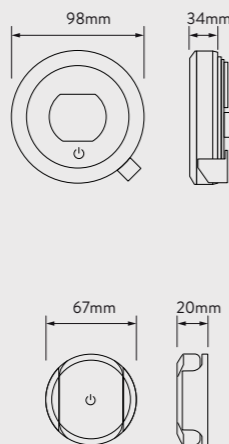
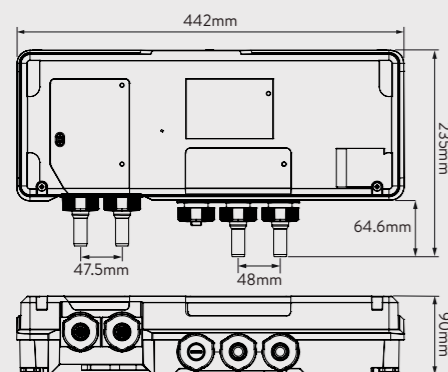
DIMENSIONS



SMARTVALVE - HP/COMBI



SMARTVALVE - GRAVITY PUMPED



FEATURES

- 105mm, adjustable 4 spray pattern Harmony™ handset
- Optional 230mm fixed head or bath filler to customise your experience
- Connectivity (Wi-Fi, Aqualisa® app, Hey Google, Amazon Alexa)
- Auto wake-up
- Usage data dashboard
- Flow control**
- Personalised profiles
- Timer function in Aqualisa® app
- Bath filler divert option
- Temperature ready indicator
- Aqualisa® SmartValve™ eco-setting**
- Wireless remote option
- Full LCD Screen
- Thermostatic control
- Easy-clean nozzles
- Dual outlet divert options
- Suitable for all water systems
- HP operating pressure requirements
 - minimum: 1 bar
 - maximum: 5 bar
- GP operating pressure requirements
 - minimum: 0.15 bar
 - maximum: 1 bar



QUARTZ TOUCH™ CONCEALED



Quartz Touch™ concealed with adjustable handset

HP/Combi
QZST.A1.BV.23
Gravity Pumped*
QZST.A2.BV.23



Quartz Touch™ concealed with wall fixed head

HP/Combi
QZST.A1.BR.23
Gravity Pumped*
QZST.A2.BR.23



Quartz Touch™ concealed dual outlet with adjustable handset and bath overflow filler

HP/Combi
QZST.A1.BV.DVBTX.23
Gravity Pumped*
QZST.A2.BV.DVBTX.23



Quartz Touch™ concealed dual outlet with adjustable handset and ceiling fixed head

HP/Combi
QZST.A1.BV.DVFC.203
Gravity Pumped*
QZST.A2.BV.DVFC.23



Quartz Touch™ concealed dual outlet with adjustable handset and wall fixed head

HP/Combi
QZST.A1.BV.DVFW.23
Gravity Pumped*
QZST.A2.BV.DVFW.23



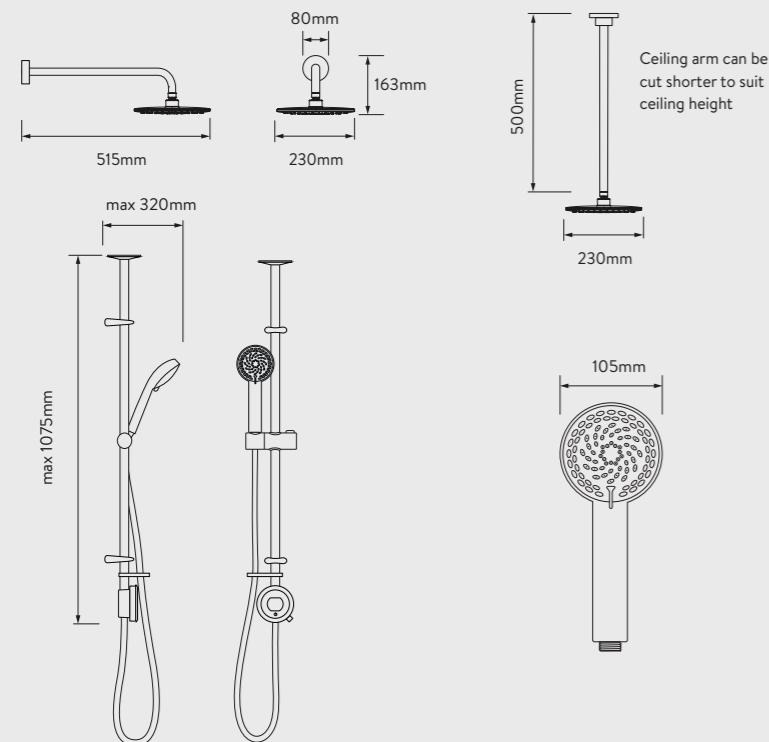
Quartz Touch™ wireless remote
WR.BL.CP.23

*Gravity Pumped variant comes with integral pump.

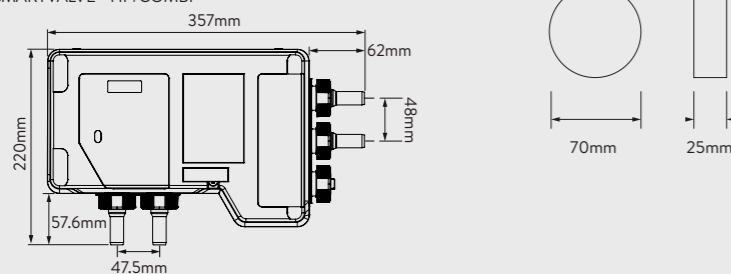
**Feature may not operate on combination boiler systems.

QUARTZ TOUCH™ EXPOSED

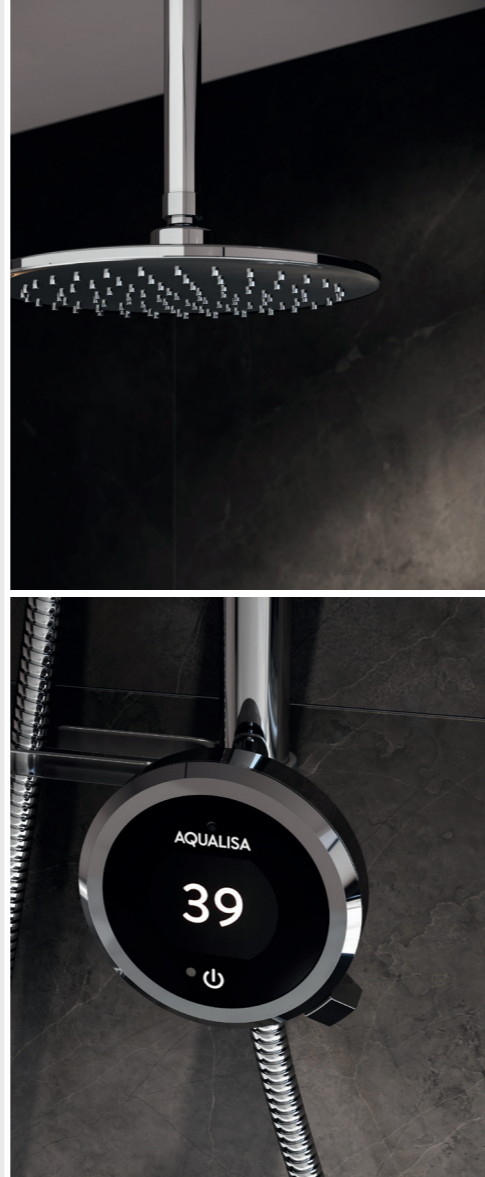
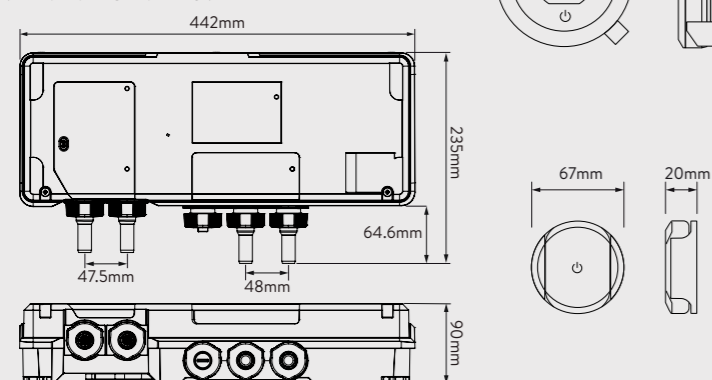
DIMENSIONS



SMARTVALVE - HP/COMBI



SMARTVALVE - GRAVITY PUMPED



FEATURES

- 105mm adjustable, 4 spray pattern Harmony™ handset
- Optional 230mm fixed head or bath filler to customise your experience
- Connectivity (Wi-Fi, Aqualisa® app, Hey Google, Amazon Alexa)
- Auto wake-up
- Usage data dashboard
- Flow control**
- Pre-set shower profiles
- Timer function in Aqualisa® app
- Bath filler divert option
- Temperature ready indicator
- Aqualisa® SmartValve™ eco-setting**
- Wireless remote option
- Full LCD Screen
- Thermostatic control
- Easy-clean nozzles
- Dual outlet divert options
- Suitable for all water systems
- **HP operating pressure requirements**
 - minimum: 1 bar
 - maximum: 5 bar
- **GP operating pressure requirements**
 - minimum: 0.15 bar
 - maximum: 1 bar



QUARTZ TOUCH™ EXPOSED



Quartz Touch™ exposed with adjustable handset

HP/Combi
QZST.A1.EV.23
Gravity Pumped*
QZST.A2.EV.23



Quartz Touch™ exposed dual outlet with adjustable handset and ceiling fixed head

HP/Combi
QZST.A1.EV.DVFC.23
Gravity Pumped*
QZST.A2.EV.DVFC.23



Quartz Touch™ dual outlet exposed with adjustable handset and bath overflow filler

HP/Combi
QZST.A1.EV.DVBTX.23
Gravity Pumped*
QZST.A2.EV.DVBTX.23



Quartz™ Retrofit Shelf

911048***
Allows you to upgrade to a exposed Quartz™ Smart shower from an exposed mixer shower without re-tiling.
Shower sold separately.



Quartz Touch™ wireless remote

WR.BL.CP.23

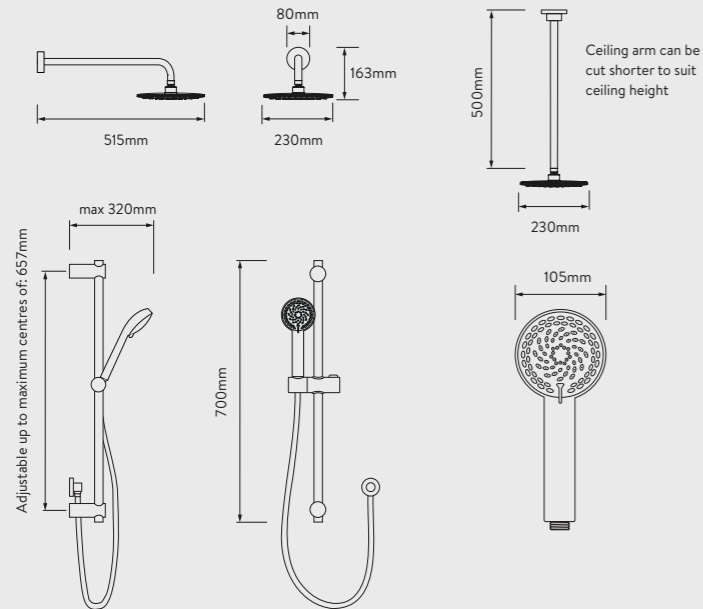
*Gravity Pumped variant comes with integral pump.

**Feature may not operate on combination boiler systems.

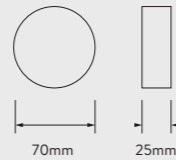
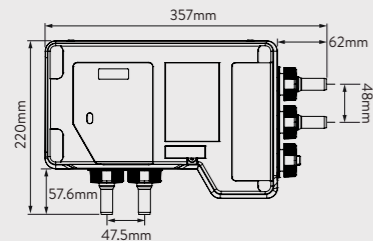
***For more information on Quartz™ Smart Retrofit Shelf see page 130.

QUARTZ CLASSIC™ CONCEALED

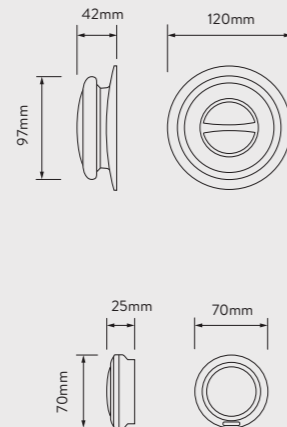
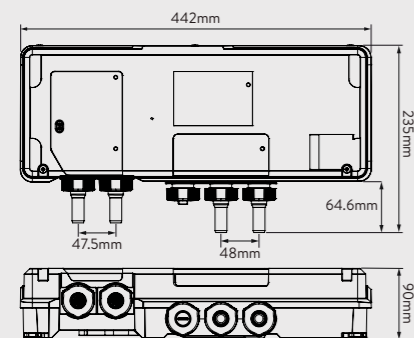
DIMENSIONS



SMARTVALVE - HP/COMBI



SMARTVALVE - GRAVITY PUMPED



FEATURES

- 105mm adjustable, 4 spray pattern Harmony™ handset
- Optional 230mm fixed head or bath filler to customise your experience
- Connectivity (Wi-Fi, Aqualisa® app, Hey Google, Amazon Alexa)
- Usage data dashboard
- Pre-selected flow control**
- Timer function in Aqualisa® app
- Bath filler divert option
- Single bath filler option
- Temperature ready indicator
- Aqualisa® SmartValve™ eco-setting**
- Hard wired remote option
- Thermostatic control
- Easy-clean nozzles
- Dual outlet divert options
- Suitable for all water systems
- **HP operating pressure requirements**
- minimum: 1 bar
- maximum: 5 bar
- **GP operating pressure requirements**
- minimum: 0.15 bar
- maximum: 1 bar



QUARTZ CLASSIC™ CONCEALED



Quartz Classic™ concealed with adjustable handset

HP/Combi
QZD.A1.BV.23
Gravity Pumped*
QZD.A2.BV.23



Quartz Classic™ concealed with wall fixed head

HP/Combi
QZD.A1.BR.23
Gravity Pumped*
QZD.A2.BR.23



Quartz Classic™ concealed with adjustable handset and bath overflow filler

HP/Combi
QZD.A1.BV.DVBTX.23
Gravity Pumped*
QZD.A2.BV.DVBTX.23



Quartz Classic™ concealed dual outlet with adjustable handset and wall fixed head

HP/Combi
QZD.A1.BV.DVFW.23
Gravity Pumped*
QZD.A2.BV.DVFW.23



Quartz Classic™ dual outlet concealed with adjustable handset and ceiling fixed head

HP/Combi
QZD.A1.BV.DVFC.23
Gravity Pumped*
QZD.A2.BV.DVFC.23



Quartz Classic™ wired remote control

Single Outlet
QZD.B3.DS.23



Quartz Classic™ wired remote control

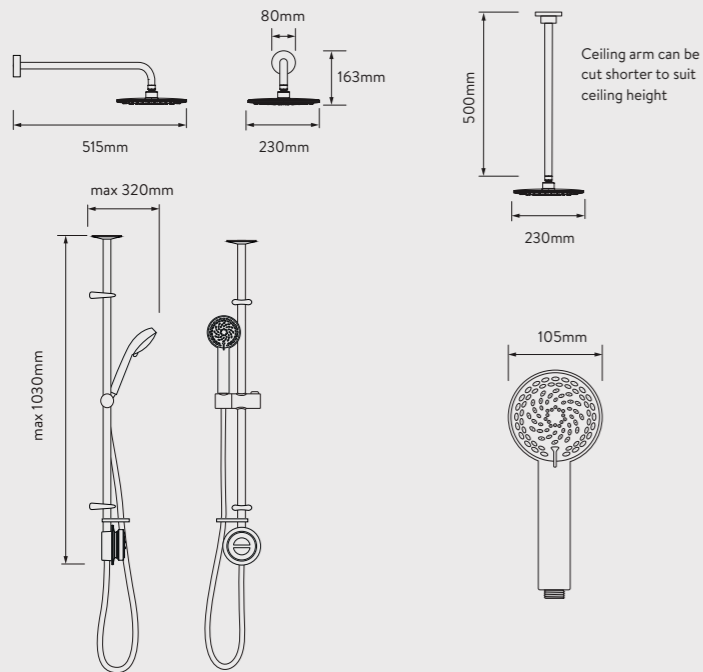
Dual Outlet
QZD.B3.DVDS.23

*Gravity Pumped variant comes with integral pump.

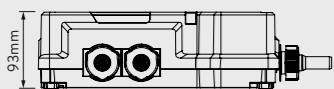
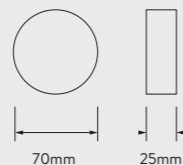
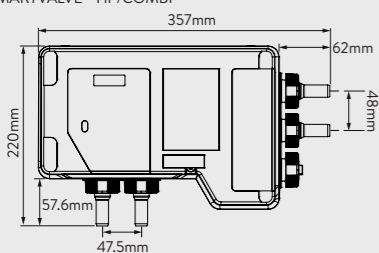
**Feature may not operate on combination boiler systems.

QUARTZ CLASSIC™ EXPOSED

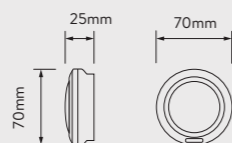
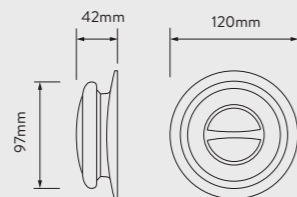
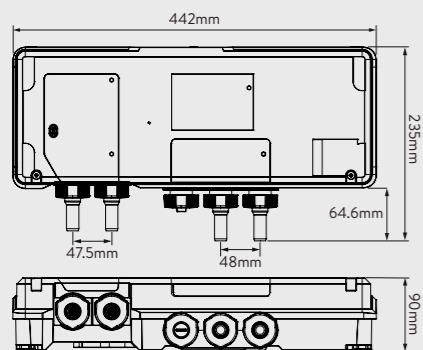
DIMENSIONS



SMARTVALVE - HP/COMBI



SMARTVALVE - GRAVITY PUMPED



FEATURES

- 105mm adjustable, 4 spray pattern Harmony™ handset
- Optional 230mm fixed head or bath filler to customise your experience
- Connectivity (Wi-Fi, Aqualisa® app, Hey Google, Amazon Alexa)
- Usage data dashboard
- Pre-selected flow control**
- Timer function in Aqualisa® app
- Bath filler divert option
- Single bath filler option
- Temperature ready indicator
- Aqualisa® SmartValve™ eco-setting**
- Hard wired remote option
- Thermostatic control
- Easy-clean nozzles
- Dual outlet divert options
- Suitable for all water systems
- **HP operating pressure requirements**
- minimum: 1 bar
- maximum: 5 bar
- **GP operating pressure requirements**
- minimum: 0.15 bar
- maximum: 1 bar



QUARTZ CLASSIC™ EXPOSED



Quartz Classic™ exposed with adjustable handset

HP/Combi
QZD.A1.EV.23
Gravity Pumped*
QZD.A2.EV.23

Quartz Classic™ exposed dual outlet with adjustable handset and bath filler

HP/Combi
QZD.A1.EV.DVBTX.23
Gravity Pumped*
QZD.A2.EV.DVBTX.23

Quartz Classic™ dual outlet exposed with adjustable head and ceiling fixed head

HP/Combi
QZD.A1.EV.DVFC.23
Gravity Pumped
QZD.A2.EV.DVFC.23



Quartz™ Retrofit Shelf

911048***
Allows you to upgrade to a exposed Quartz™ Smart shower from an exposed mixer shower without re-tiling.
Shower sold separately.

Quartz™ exposed rail extension (550mm)

910920
For higher than normal ceilings when fitting Quartz™ smart exposed systems.
Including rail 550mm, push-fit pipe joiner and exposed rail sleeve.
Copper pipe not included.



Quartz Classic™ wired remote control

Single Outlet
QZD.B3.DS.23



Quartz Classic™ wired remote control

Dual Outlet
QZD.B3.DVDS.23

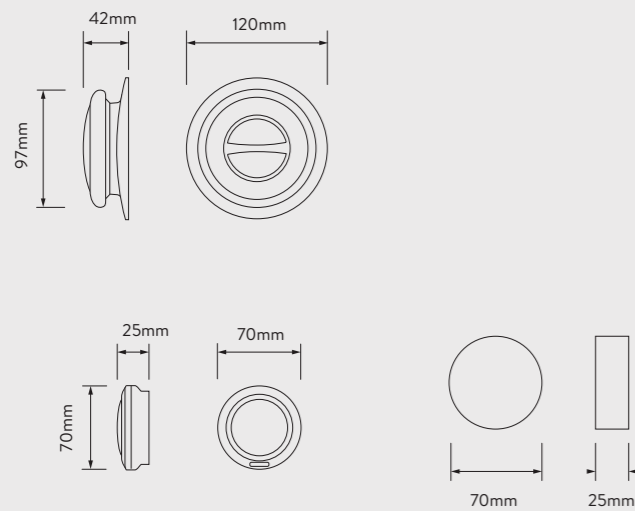
*Gravity Pumped variant comes with integral pump.

**Feature may not operate on combination boiler systems.

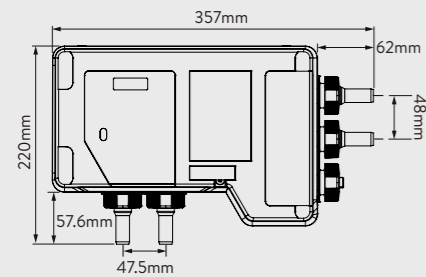
***For more information on Quartz™ Smart Retrofit Shelf see page 130.

QUARTZ CLASSIC™ BATH FILLER

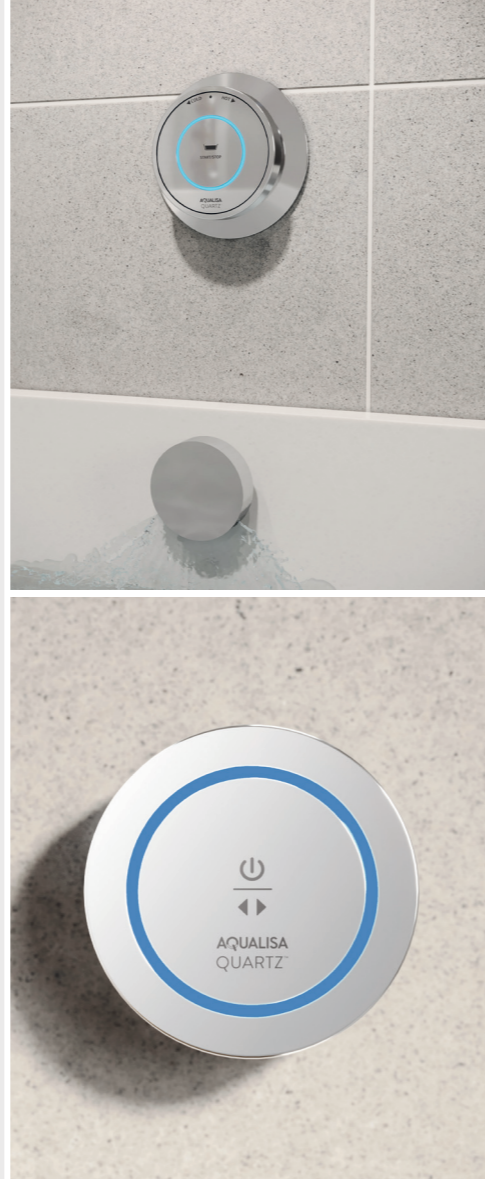
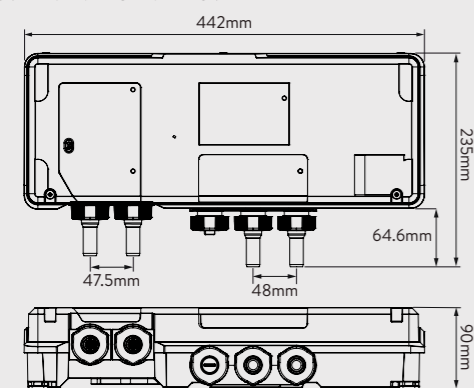
DIMENSIONS



SMARTVALVE - HP/COMBI



SMARTVALVE - GRAVITY PUMPED



FEATURES

- Connectivity (Wi-Fi, Aqualisa® app, Hey Google, Amazon Alexa)
- Usage data dashboard
- Timer function in Aqualisa® app
- Single bath filler option
- Temperature ready indicator
- Aqualisa® SmartValve™ eco-setting**
- Hard wired remote option
- Thermostatic control
- Suitable for all water systems
- HP operating pressure requirements
 - minimum: 1 bar
 - maximum: 5 bar
- GP operating pressure requirements
 - minimum: 0.15 bar
 - maximum: 1 bar



QUARTZ CLASSIC™ BATH FILLER



Quartz Classic™ bath overflow filler

HP/Combi
QZD.A1.BTX.23
Gravity Pumped*
QZD.A2.BTX.23



Quartz Classic™ wired remote control

Single Outlet
QZD.B3.DS.23



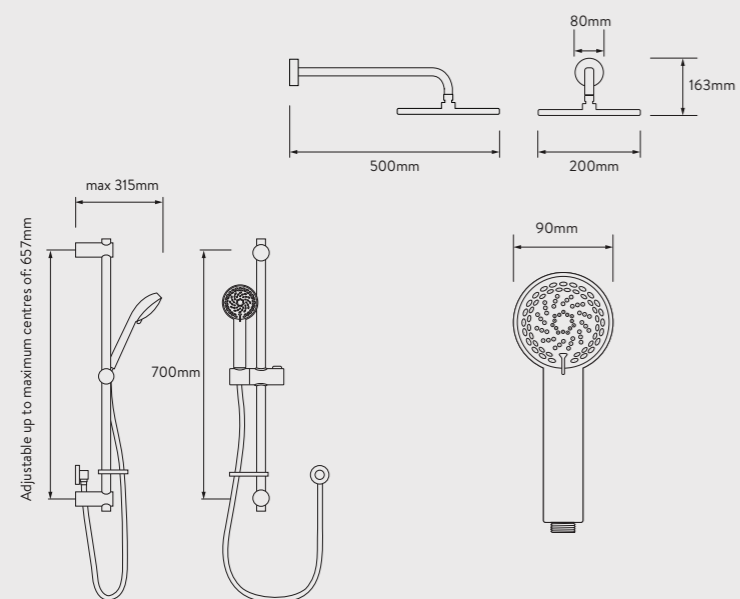
Quartz Classic™ wired remote control

Dual Outlet
QZD.B3.DVDS.23

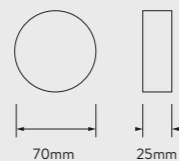
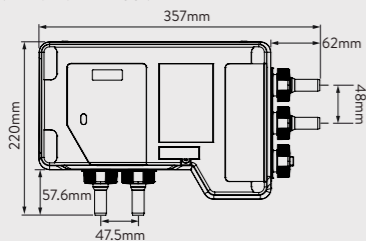
*Gravity Pumped variant comes with integral pump.
**Feature may not operate on combination boiler systems.

QUARTZ BLUE™ CONCEALED

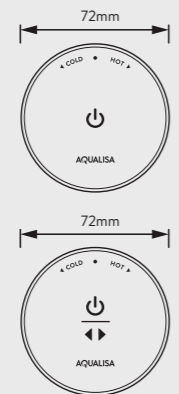
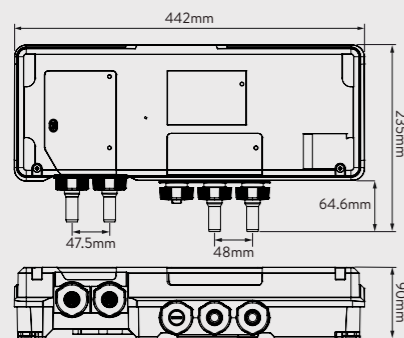
DIMENSIONS



SMARTVALVE - HP/COMBI



SMARTVALVE - GRAVITY PUMPED



FEATURES

- 90mm adjustable, 4 spray pattern Harmony™ handset
- Optional 200mm fixed head or bath filler to customise your experience
- Connectivity (Wi-Fi, Aqualisa® app, Hey Google, Amazon Alexa)
- Usage data dashboard
- Timer function in Aqualisa® app
- Bath filler divert option
- Temperature ready indicator
- Aqualisa® SmartValve™ eco-setting**
- Thermostatic control
- Easy-clean nozzles
- Dual outlet divert options
- Suitable for all water systems
- **HP operating pressure requirements**
- minimum: 1 bar
- maximum: 5 bar
- **GP operating pressure requirements**
- minimum: 0.15 bar
- maximum: 1 bar



QUARTZ BLUE™ CONCEALED



Quartz Blue™ concealed with adjustable handset
HP/Combi
QZSB.A1.BV.23
Gravity Pumped*
QZSB.A2.BV.23



Quartz Blue™ concealed with wall fixed head
HP/Combi
QZSB.A1.BR.23
Gravity Pumped*
QZSB.A2.BR.23



Quartz Blue™ dual outlet concealed with adjustable handset and bath overflow filler
HP/Combi
QZSB.A1.BV.DVBTX.23
Gravity Pumped*
QZSB.A2.BV.DVBTX.23

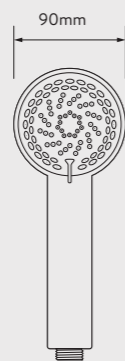
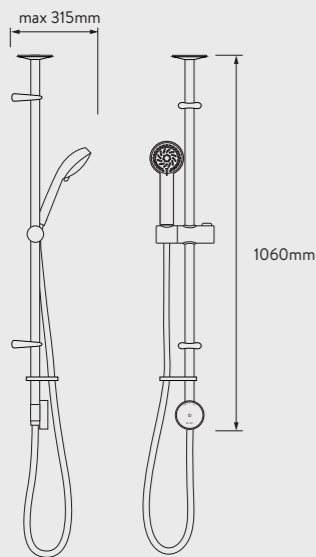


Quartz Blue™ dual outlet concealed with adjustable handset and wall fixed head
HP/Combi
QZSB.A1.BV.DVFW.23
Gravity Pumped*
QZSB.A2.BV.DVFW.23

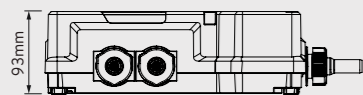
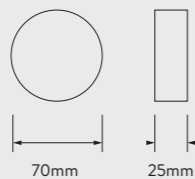
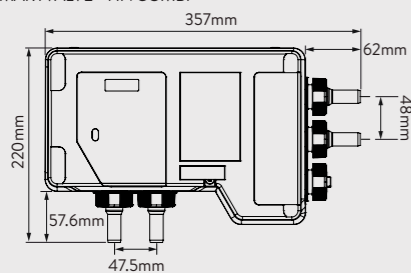
*Gravity Pumped variant comes with integral pump.
**Feature may not operate on combination boiler systems.

QUARTZ BLUE™ EXPOSED

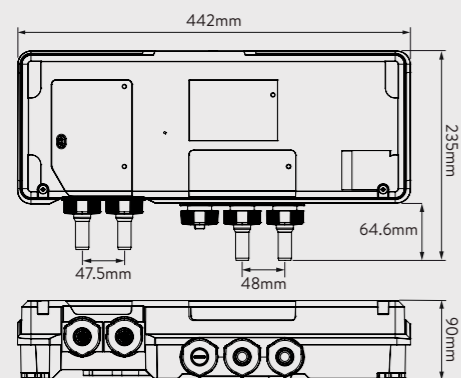
DIMENSIONS



SMARTVALVE - HP/COMBI



SMARTVALVE - GRAVITY PUMPED



FEATURES

- 90mm adjustable, 4 spray pattern Harmony™ handset
- Optional 200mm fixed head or bath filler to customise your experience
- Connectivity (Wi-Fi, Aqualisa® app, Hey Google, Amazon Alexa)
- Usage data dashboard
- Timer function in Aqualisa® app
- Bath filler divert option
- Temperature ready indicator
- Aqualisa® SmartValve™ eco-setting**
- Thermostatic control
- Easy-clean nozzles
- Dual outlet divert options
- Suitable for all water systems
- Optional exposed rail extension and corner fixing brackets available
- **HP operating pressure requirements**
- minimum: 1 bar
- maximum: 5 bar
- **GP operating pressure requirements**
- minimum: 0.15 bar
- maximum: 1 bar

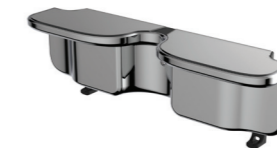


QUARTZ BLUE™ EXPOSED



Quartz Blue™ exposed with adjustable handset

HP/Combi
QZSB.A1.EV.23
Gravity Pumped*
QZSB.A2.EV.23



Quartz™ Retrofit Shelf

911048***
Allows you to upgrade to a exposed Quartz™ Smart shower from an exposed mixer shower without re-tiling.
Shower sold separately.



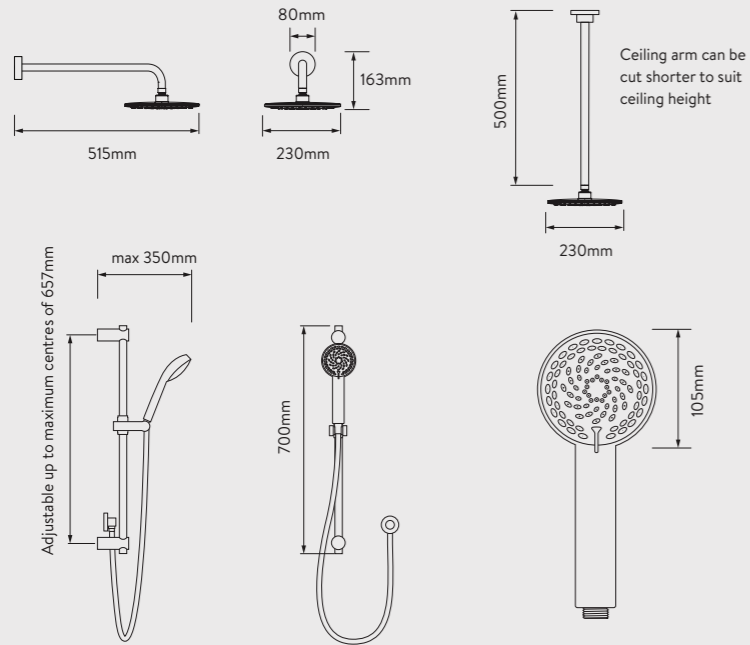
Quartz™ exposed rail extension (550mm)

910920
For higher than normal ceilings when fitting Quartz™ smart exposed systems.
Including rail 550mm, push-fit pipe joiner and exposed rail sleeve.
Copper pipe not included.

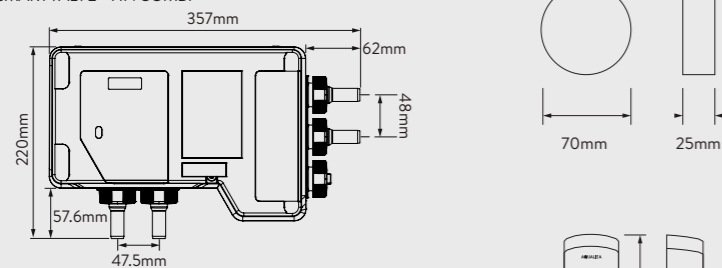
*Gravity Pumped variant comes with integral pump.
**Feature may not operate on combination boiler systems.
***For more information on Quartz™ Smart Retrofit Shelf see page 130.

ISYSTEM™ CONCEALED

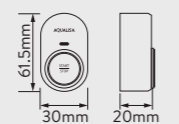
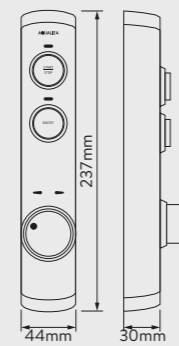
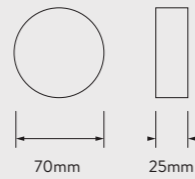
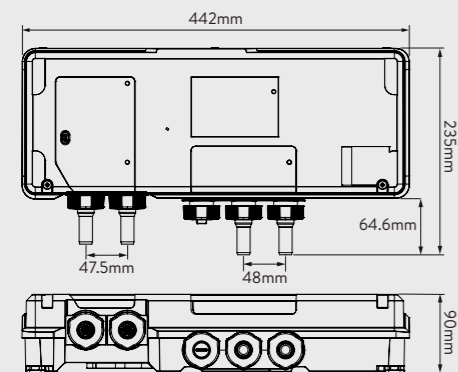
DIMENSIONS



SMARTVALVE - HP/COMBI



SMARTVALVE - GRAVITY PUMPED



FEATURES

- 105mm adjustable, 4 spray pattern Harmony™ handset
- Optional 230mm fixed head to customise your experience
- PinchGrip™ slider
- Connectivity (Wi-Fi, Aqualisa® app, Hey Google, Amazon Alexa)
- Usage data dashboard
- Timer function in Aqualisa® app
- Temperature ready indicator
- Aqualisa® SmartValve™ eco-setting**
- Thermostatic control
- Dual outlet divert options
- Boost button**
- Suitable for all water systems
- HP operating pressure requirements
 - minimum: 1 bar
 - maximum: 5 bar
- GP operating pressure requirements
 - minimum: 0.15 bar
 - maximum: 1 bar



ISYSTEM™ CONCEALED



iSystem™ Smart concealed with adjustable handset

HP/Combi
ISD.A1.BV.23
Gravity Pumped*
ISD.A2.BV.23

iSystem™ Smart concealed with wall fixed head

HP/Combi
ISD.A1.BFW.23
Gravity Pumped*
ISD.A2.BFW.23

iSystem™ Smart concealed with ceiling fixed head

HP/Combi
ISD.A1.BFC.23
Gravity Pumped*
ISD.A2.BFC.23



iSystem™ Smart dual outlet concealed with adjustable handset and wall fixed head

HP/Combi
ISD.A1.BV.DVFW.23
Gravity Pumped*
ISD.A2.BV.DVFW.23

iSystem™ Smart dual outlet concealed with adjustable handset and ceiling fixed head

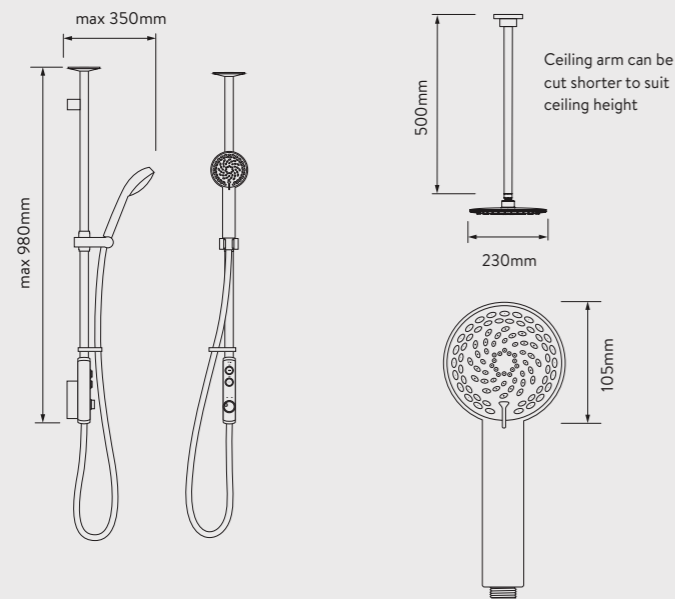
HP/Combi
ISD.A1.BV.DVFC.23
Gravity Pumped*
ISD.A2.BV.DVFC.23

iSystem™ Smart remote control

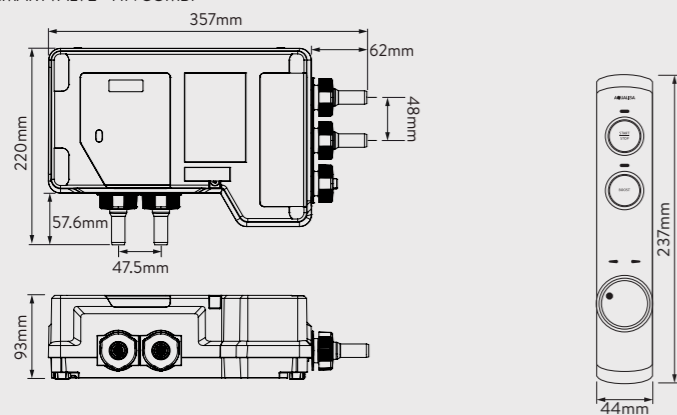
Single and divert wired
ISD.B3.DS.23

*Gravity Pumped variant comes with integral pump.
**Feature may not operate on combination boiler systems.

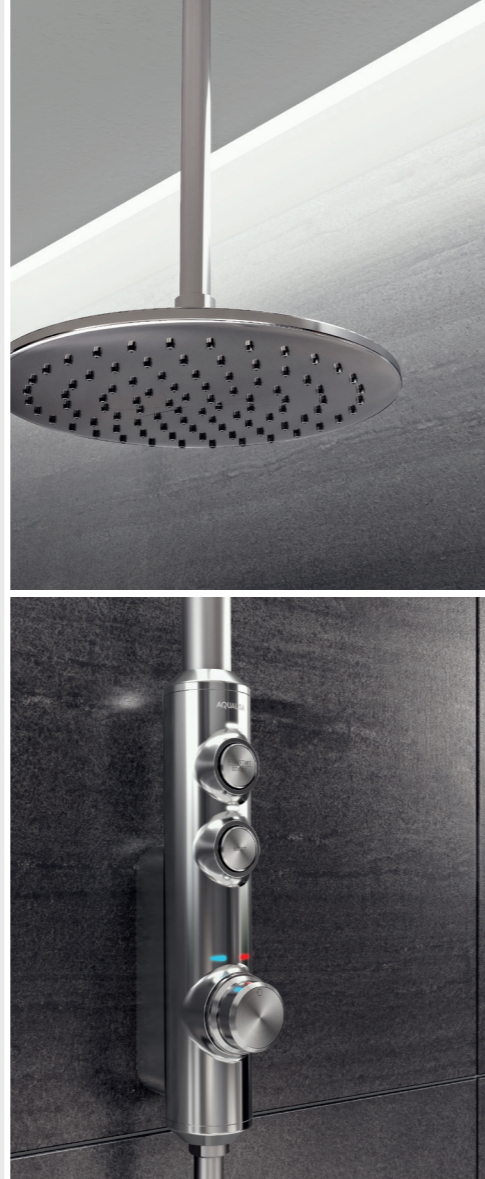
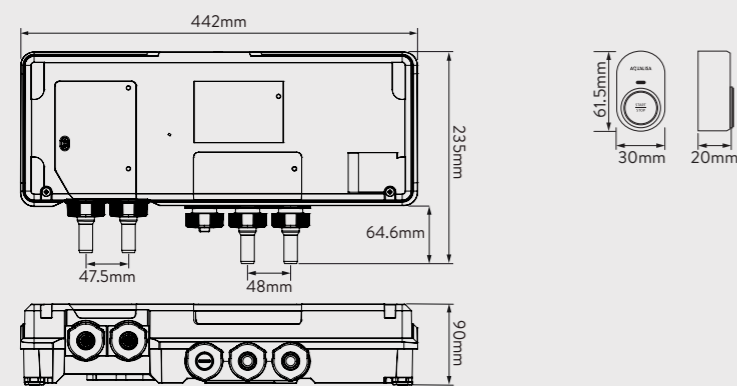
ISYSTEM™ EXPOSED DIMENSIONS



SMARTVALVE - HP/COMBI



SMARTVALVE - GRAVITY PUMPED



FEATURES

- 105mm adjustable, 4 spray pattern Harmony™ handset
- Optional 230mm fixed head to customise your experience
- PinchGrip™ slider
- Connectivity (Wi-Fi, Aqualisa® app, Hey Google, Amazon Alexa)
- Usage data dashboard
- Timer function in Aqualisa® app
- Temperature ready indicator
- Aqualisa® SmartValve™ eco-setting**
- Thermostatic control
- Dual outlet divert options
- Optional exposed rail extension and corner fixing brackets available
- Boost button**
- Suitable for all water systems
- **HP operating pressure requirements**
 - minimum: 1 bar
 - maximum: 5 bar
- **GP operating pressure requirements**
 - minimum: 0.15 bar
 - maximum: 1 bar



ISYSTEM™ EXPOSED



iSystem™ Smart exposed with adjustable handset

HP/Combi
ISD.A1.EV.23
Gravity Pumped*
ISD.A2.EV.23

iSystem™ Smart dual outlet exposed with adjustable handset and ceiling fixed head

HP/Combi
ISD.A1.EV.DVFC.23
Gravity Pumped*
ISD.A2.EV.DVFC.23

iSystem™ Smart remote control

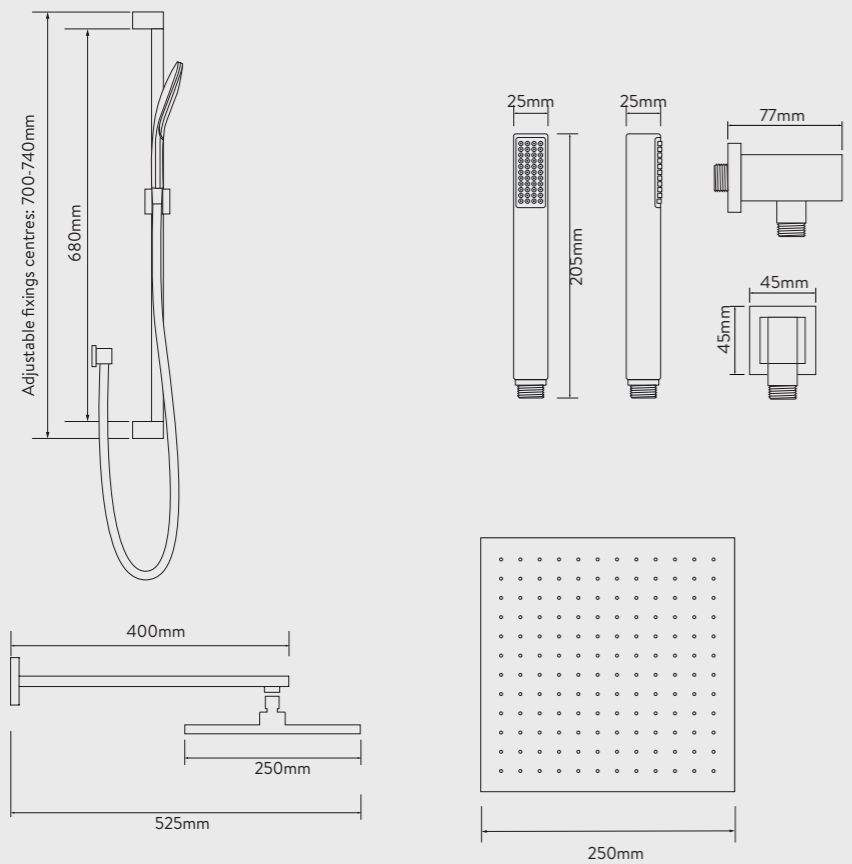
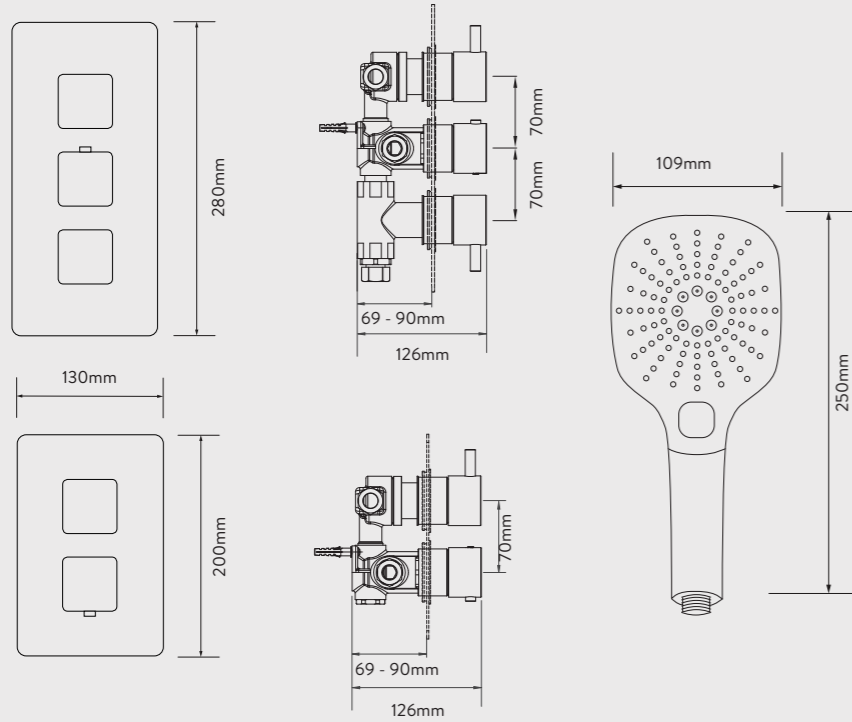
Single and divert wired
ISD.B3.DS.23

*Gravity Pumped variant comes with integral pump.

**Feature may not operate on combination boiler systems.

DREAM™ SQUARE

DIMENSIONS



FEATURES

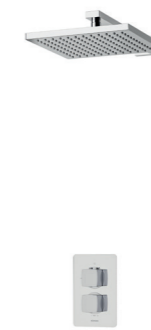
- 109mm multimode adjustable handset with soft, easy-clean nozzles
- 250mm fixed shower head
- Chrome plated quarter turn handset holder
- 1.5m smooth hose
- Thermostatic control for safe water temperature
- Metal controls
- Push fit metal wall plate, 2mm thickness
- Bath overflow filler option



DREAM™ SQUARE



Dream™ concealed mixer shower with adjustable handset
DRMDCV1.AD.SQR



Dream™ concealed mixer shower with wall fixed head
DRMDCV1.FW.SQR



Dream™ concealed mixer shower with adjustable handset and wall fixed head
DRMDCV2.ADFW.SQR



Dream™ concealed mixer shower with wall fixed head and shower wand
DRMDCV2.HSFW.SQR

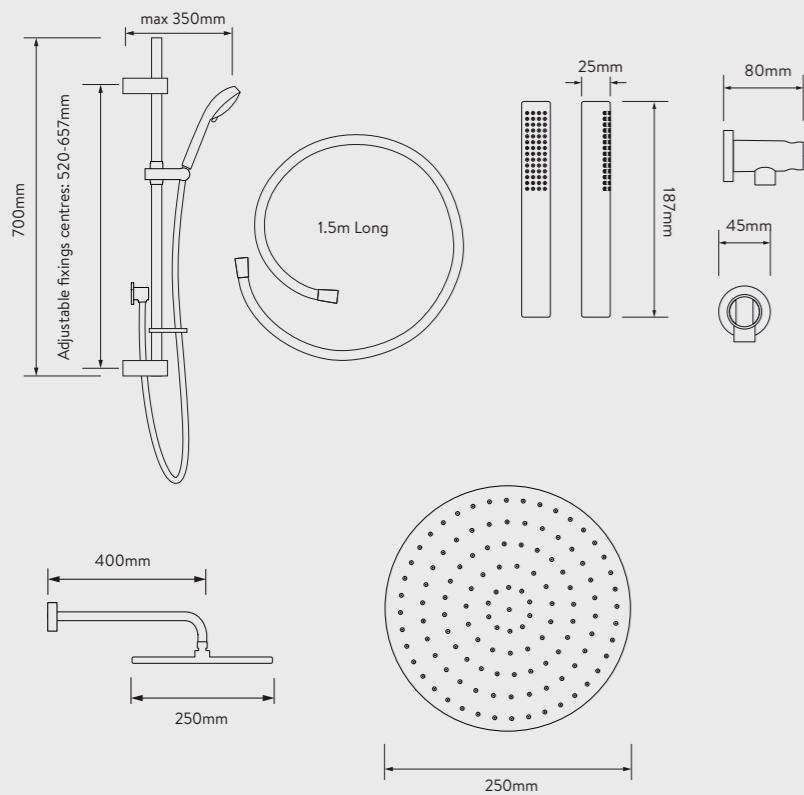
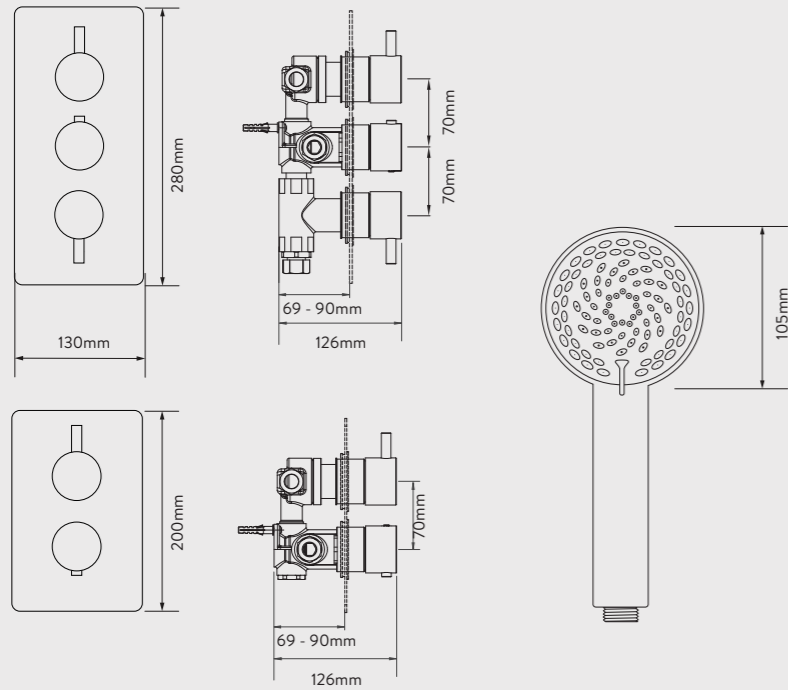


Dream™ concealed mixer shower with adjustable handset and bath overflow filler
DRMDCV2.ADBTX.SQR



Dream™ concealed mixer shower with adjustable handset, wall fixed head and bath overflow filler
DRMDCV3.ADFWBTX.SQR

DREAM™ ROUND DIMENSIONS



FEATURES

- 105mm Harmony™ adjustable handset with soft, easy-clean nozzles
- 250mm fixed shower head
- Chrome plated PinchGrip™ slider
- 1.5m smooth hose
- Thermostatic control for safe water temperature
- Metal controls
- Push fit metal wall plate, 2mm thickness
- Bath overflow filler option



DREAM™ ROUND



Dream™ concealed mixer shower with adjustable handset
DRMDCV1.AD.RND



Dream™ concealed mixer shower with wall fixed head
DRMDCV1.FW.RND



Dream™ concealed mixer shower with adjustable head and wall fixed head
DRMDCV2.ADFW.RND



Dream™ concealed mixer shower with wall fixed head and shower wand
DRMDCV2.HSFW.RND



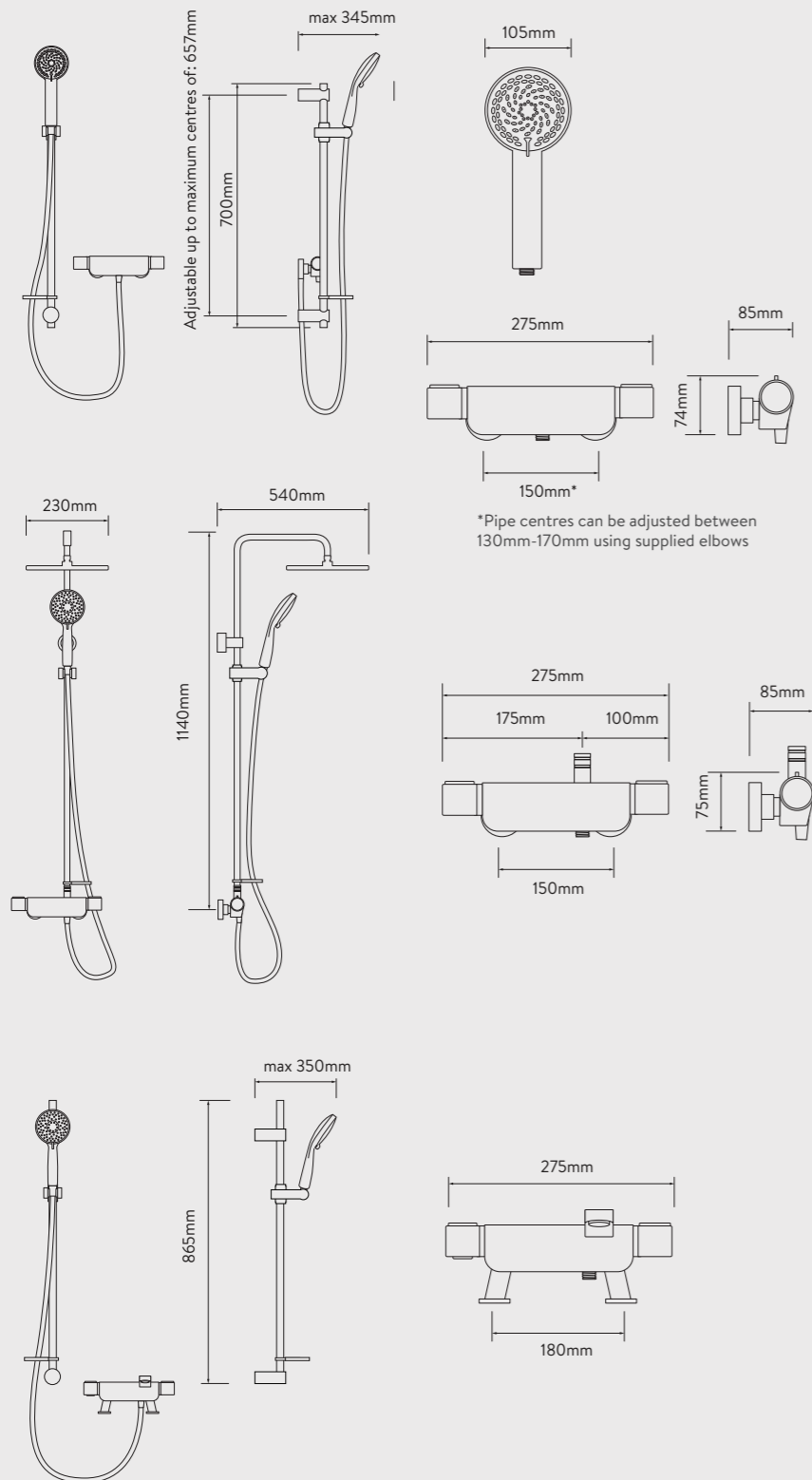
Dream™ concealed mixer shower with adjustable handset and bath overflow filler
DRMDCV2.ADBTX.RND



Dream™ concealed mixer shower with adjustable handset, wall fixed head and bath overflow filler
DRMDCV3.ADFWBTX.RND

MIDAS™ 220 CHROME

DIMENSIONS



FEATURES

- 105mm adjustable Harmony™ handset with 4 spray patterns
- 230mm fixed head
- Smooth chrome hose
- Easy-click spray selector
- Easy-clean nozzles
- PinchGrip™ slider
- Brass valve
- Temperature override button
- Safe touch
- Gel hanger
- Bar valve fixing kit included (with shower & shower column)
- Pipe centres can be adjusted between 130mm -170mm using the adjustable elbows supplied



*Single outlet models compatible with all water systems shower column and bath shower mixer models require HP water systems

MIDAS™ 220 CHROME



Exposed bar valve with single shower outlet using an adjustable 4 spray mode handset.

MD220S



Exposed bar valve with dual shower outlets using an adjustable 4 spray mode handset and 230mm deluge head.

MD220SC

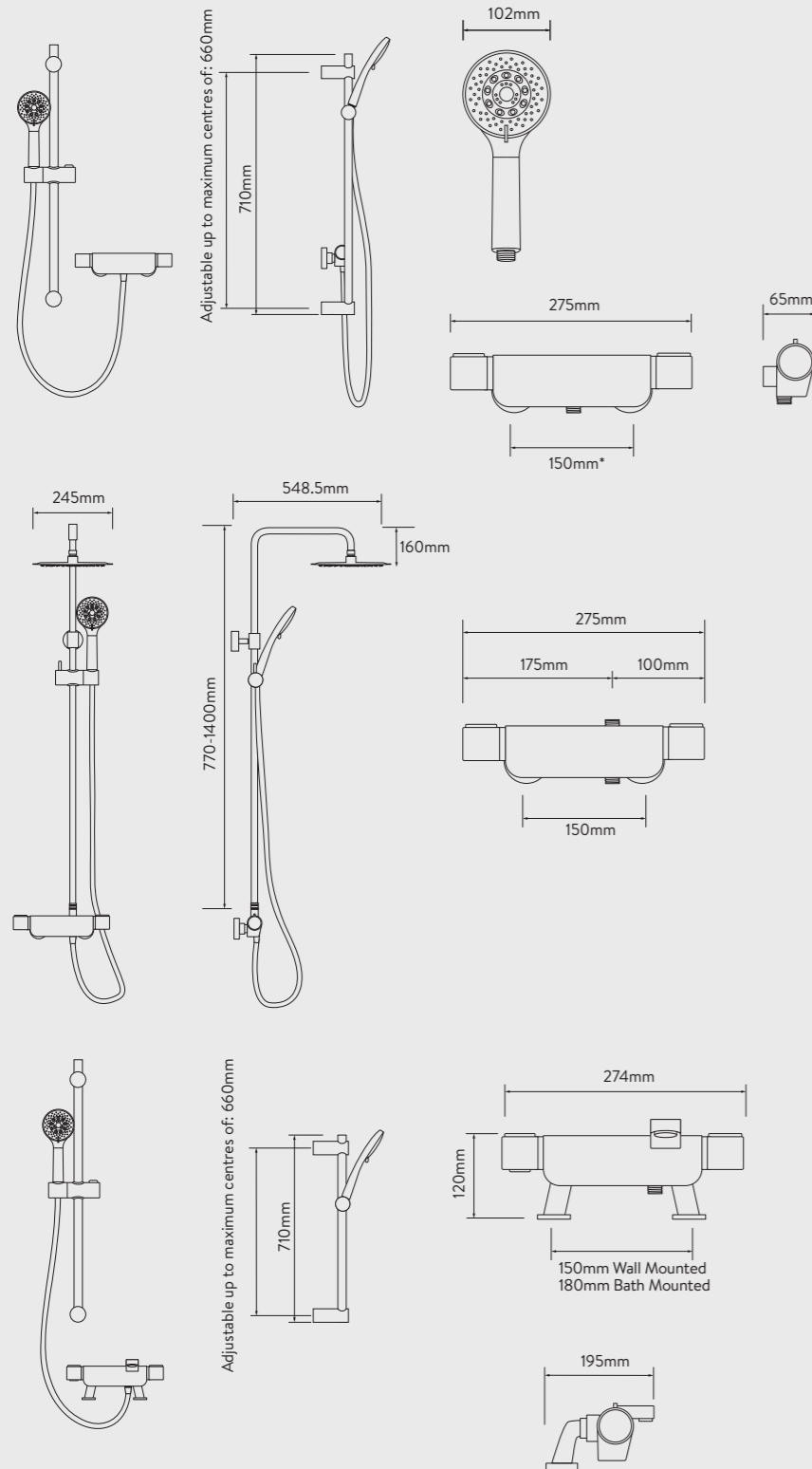


Deck mounted bath shower mixer tap and valve with adjustable 4 spray mode handset.

MD220BSM

MIDAS™ 220 MATT BLACK

DIMENSIONS



FEATURES

- 102mm adjustable handset with 5 spray patterns
- 245mm fixed head
- Stainless steel matt black 1.5m hose
- Easy-click spray selector
- Easy-clean nozzles
- Push button & lever handset holder
- Brass valve
- Temperature override button
- Safe touch
- Bar valve fixing kit included (with shower & shower column)
- Pipe centres can be adjusted between 130mm -170mm using the adjustable elbows supplied



*Single outlet models compatible with all water systems shower column and bath shower mixer models require HP water systems

MIDAS™ 220 MATT BLACK



Exposed bar valve with single shower outlet using an adjustable 5 spray mode handset.

MD220S.MB



Exposed bar valve with dual shower outlets using an adjustable 5 spray mode handset and 245mm deluge head.

MD220SC.MB

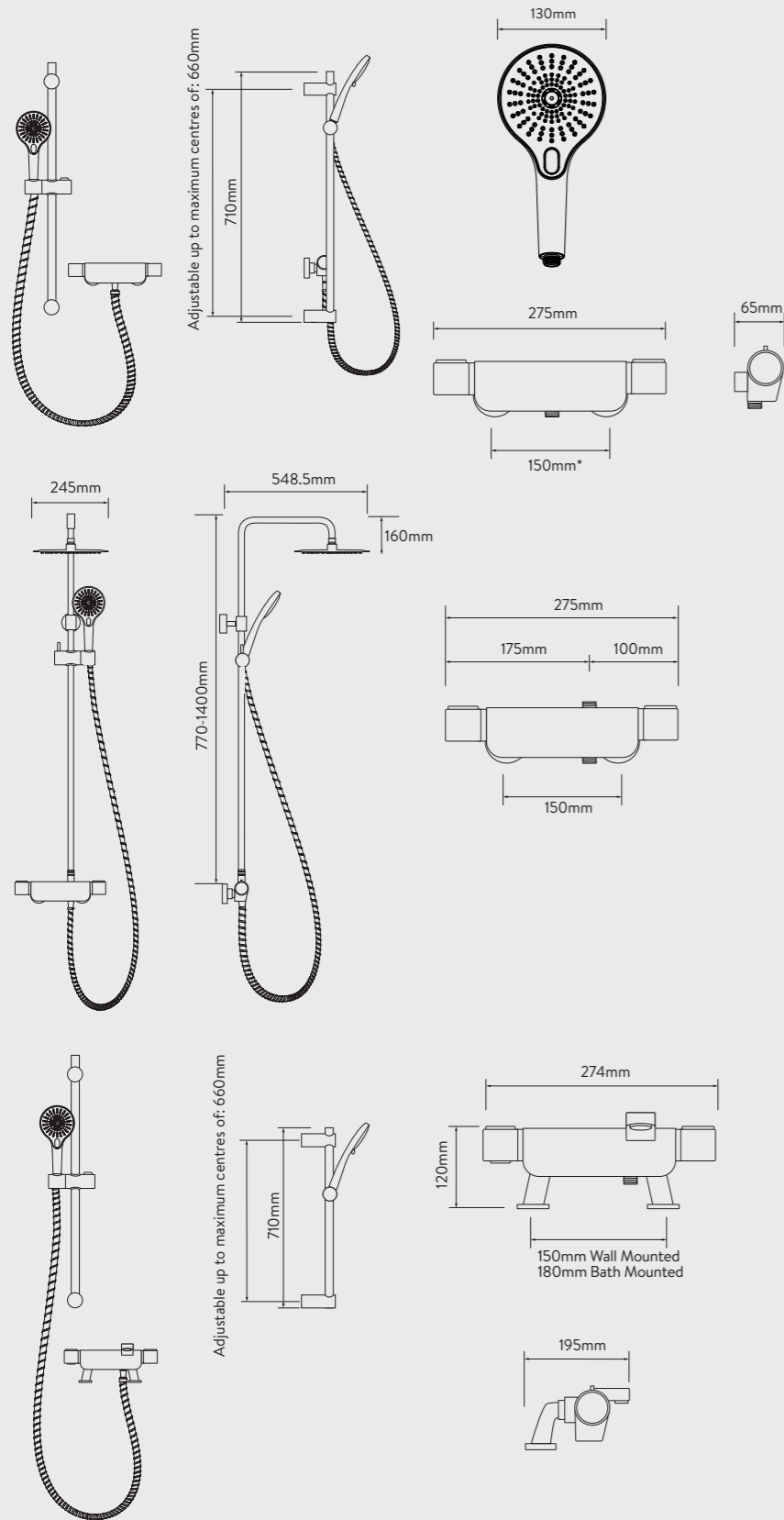


Deck mounted bath shower mixer tap and valve with adjustable 5 spray mode handset.

MD220BSM.MB

MIDAS™ 220 MATT WHITE

DIMENSIONS



FEATURES

- 130mm adjustable handset with 3 spray patterns
- 245mm fixed head
- 1.5m ribbed hose
- Easy-click spray selector
- Easy-clean nozzles
- Brass valve
- Full flow control
- Temperature override button
- Safe touch
- Bar valve fixing kit included (with shower & shower column)
- Pipe centres can be adjusted between 130mm -170mm using the adjustable elbows supplied



*Single outlet models compatible with all water systems shower column and bath shower mixer models require HP water systems

MIDAS™ 220 MATT WHITE



Exposed bar valve with single shower outlet using an adjustable 3 spray mode handset.

MD220S.MW

Exposed bar valve with dual shower outlets using an adjustable 3 spray mode handset and 245mm deluge head.

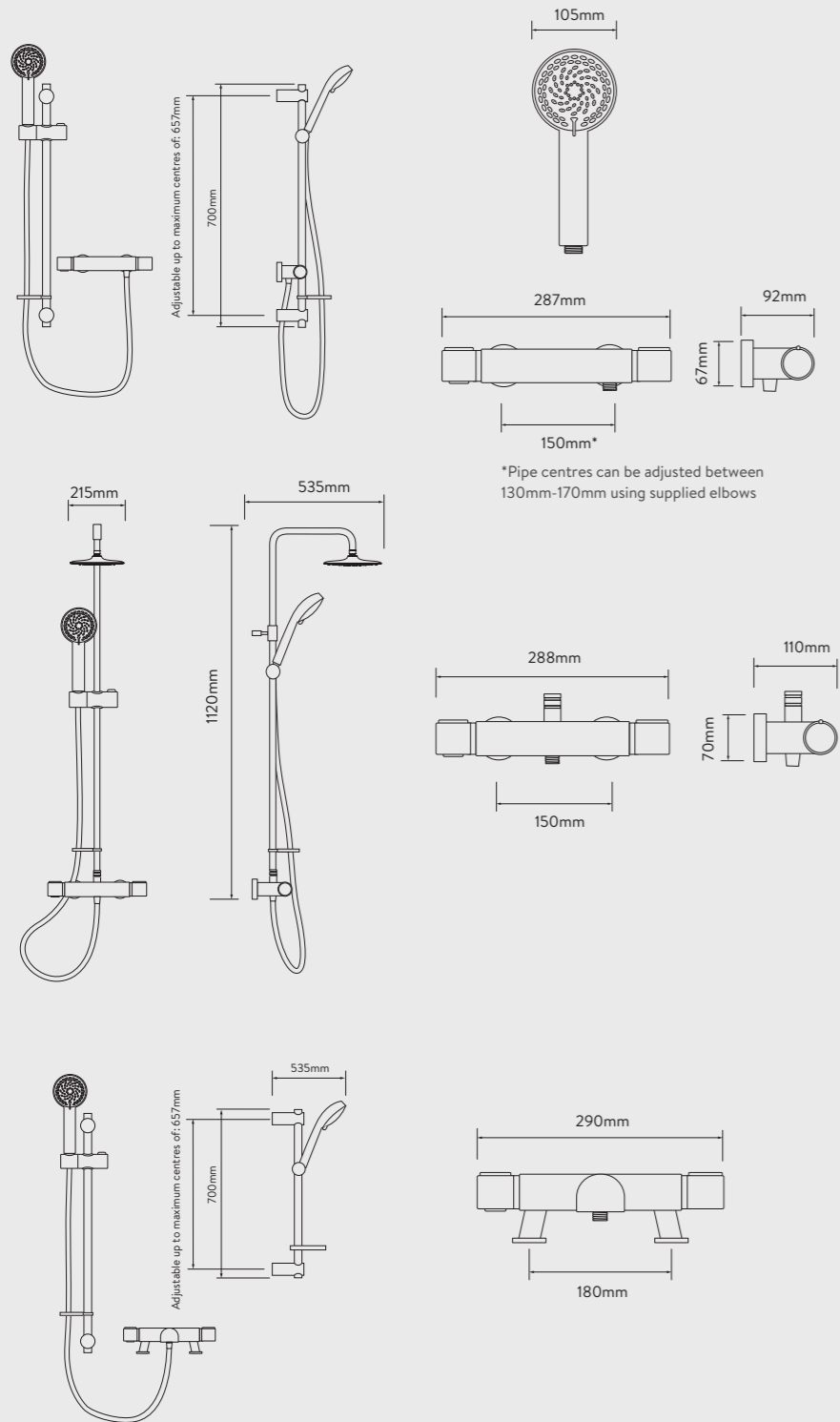
MD220SC.MW

Deck mounted bath shower mixer tap and valve with adjustable 3 spray mode handset.

MD220BSM.MW

MIDAS™ 110

DIMENSIONS



FEATURES

- 105mm adjustable Harmony™ handset with 4 spray patterns
- 215mm fixed head
- Chrome plated metal hose
- Easy-clean nozzles
- Easy-click spray selector
- Retro fit rail brackets
- Brass valve
- Temperature override button
- Gel hanger



*Single outlet models compatible with all water systems shower column and bath shower mixer models require HP water systems

MIDAS™ 110



Exposed bar valve with single shower outlet using an adjustable 4 spray mode handset.

MD110S



Exposed bar valve with dual shower outlets using an adjustable 4 spray mode handset and 220mm fixed head.

MD110SC



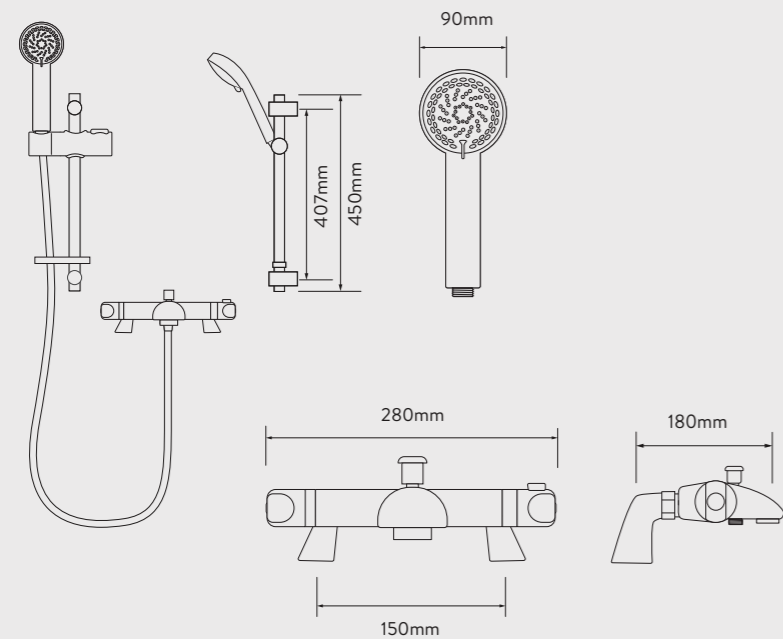
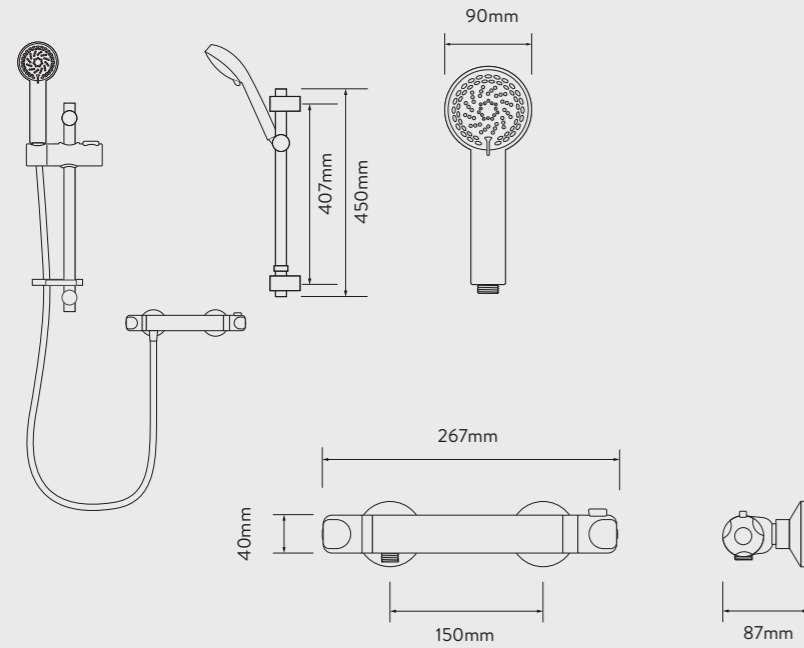
Deck mounted bath shower mixer tap and valve with adjustable 4 spray mode handset.

MD110BSM

Plus wall mount fitting kit 525301

MIDAS™ 100

DIMENSIONS



FEATURES

- 90mm adjustable Harmony™ handset with 4 spray patterns
- Chrome hose - 1.25m (shower) 1.75m (bath shower mixer)
- Easy-clean nozzles
- Adjustable height slider
- Easy-click spray selector
- Temperature override button
- Safe touch
- Gel hanger
- Bar valve fixing kit included with shower & shower column
- Pipe centres can be adjusted between 130mm -170mm using the adjustable elbows supplied



*Single outlet models compatible with all water systems shower column and bath shower mixer models require HP water systems

MIDAS™ 100



Midas™ 100 bar mixer shower with adjustable handset
MD100BAR

Midas™ 100 bar mixer shower with adjustable handset and 'easy-fit' bracket
MD100EBAR



Midas™ 100 bath shower mixer with adjustable handset
MD100BSM
Plus wall mount fitting kit 525301

MIDAS™ ACCESSORIES



Concealed fixing bracket
MD300EFB



Bar valve fixing kit
BAR001FIX



479101



910056



479102



479103

Midas™ 12lpm flow regulator and housing
479101

Midas™ 9lpm flow regulator and housing
910056

Midas™ 8lpm flow regulator and housing
479102

Midas™ 6lpm flow regulator and housing
479103



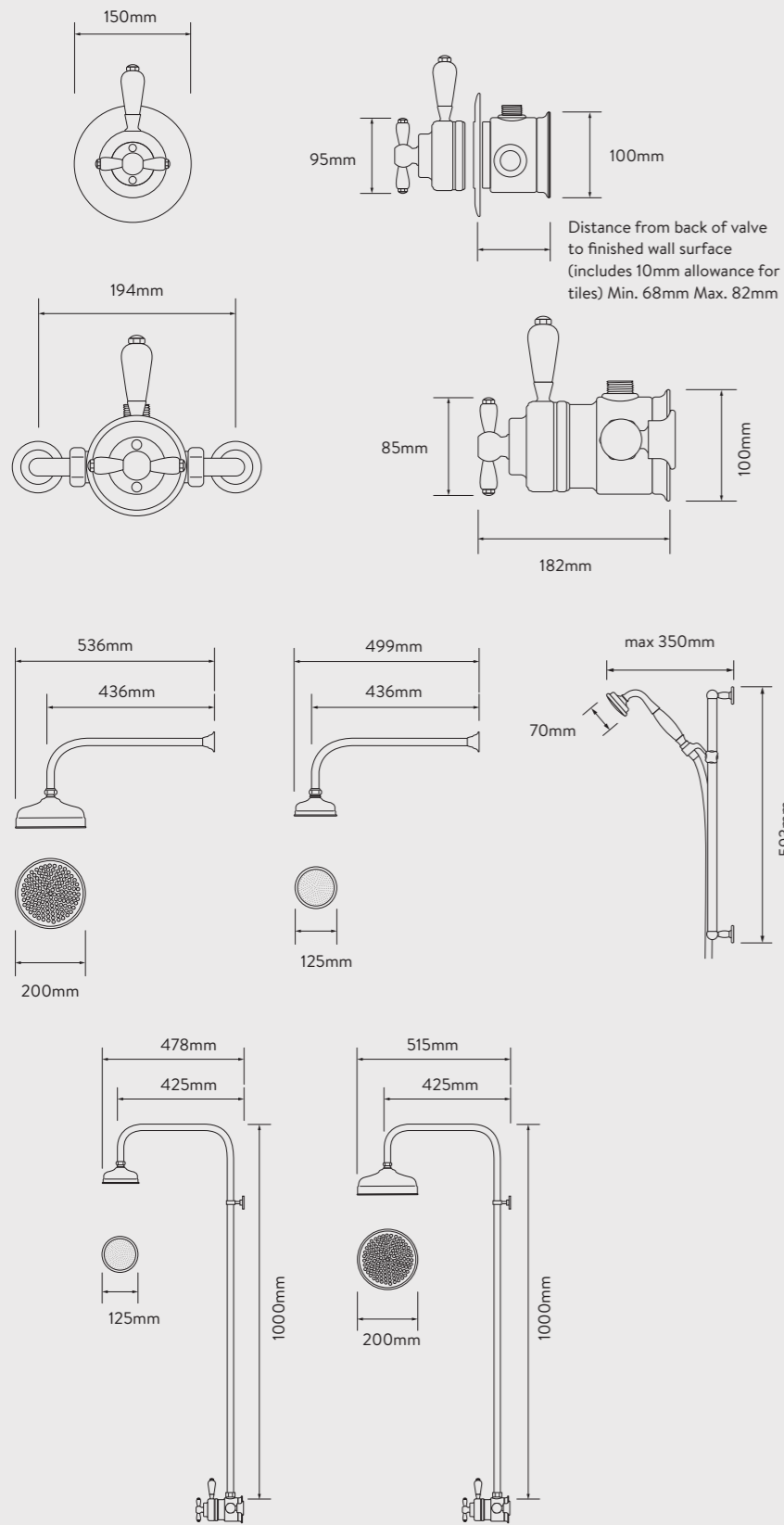
Chrome exposed pipe fittings (pair)
479106
Not suitable for fixed head bar valves



Wall mount fitting kit
525301

AQUATIQUE™

DIMENSIONS

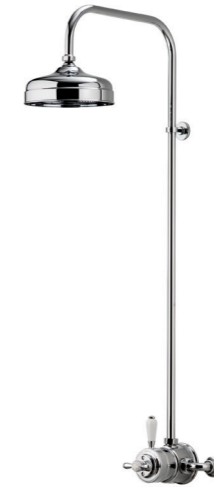


FEATURES

- 8" or 5" tilt drencher head available
- Brass bodied valve
- Victorian style adjustable handset available
- Adjustable height slider
- Ceramic handle
- Suitable for all water systems
- Thermacoil™



AQUATIQUE™



Aquatique™ Thermo concealed mixer shower with fixed drencher head – chrome

Valve: 500.00.01
8" head: 580.01
5" head: 550.01

Aquatique™ Thermo exposed mixer shower with fixed drencher head – chrome

Valve: 500.10.01
8" head: 581.01
5" head: 551.01

Aquatique™ Thermo mixer shower with adjustable handset – chrome

Exposed valve: 500.10.01
Concealed valve: 500.00.01
Head: 560.01



Aquatique™ Thermo concealed mixer shower with fixed drencher head – gold

Valve: 500.00.04
8" head: 580.04
5" head: 550.04

Aquatique™ Thermo exposed mixer shower with fixed drencher head – gold

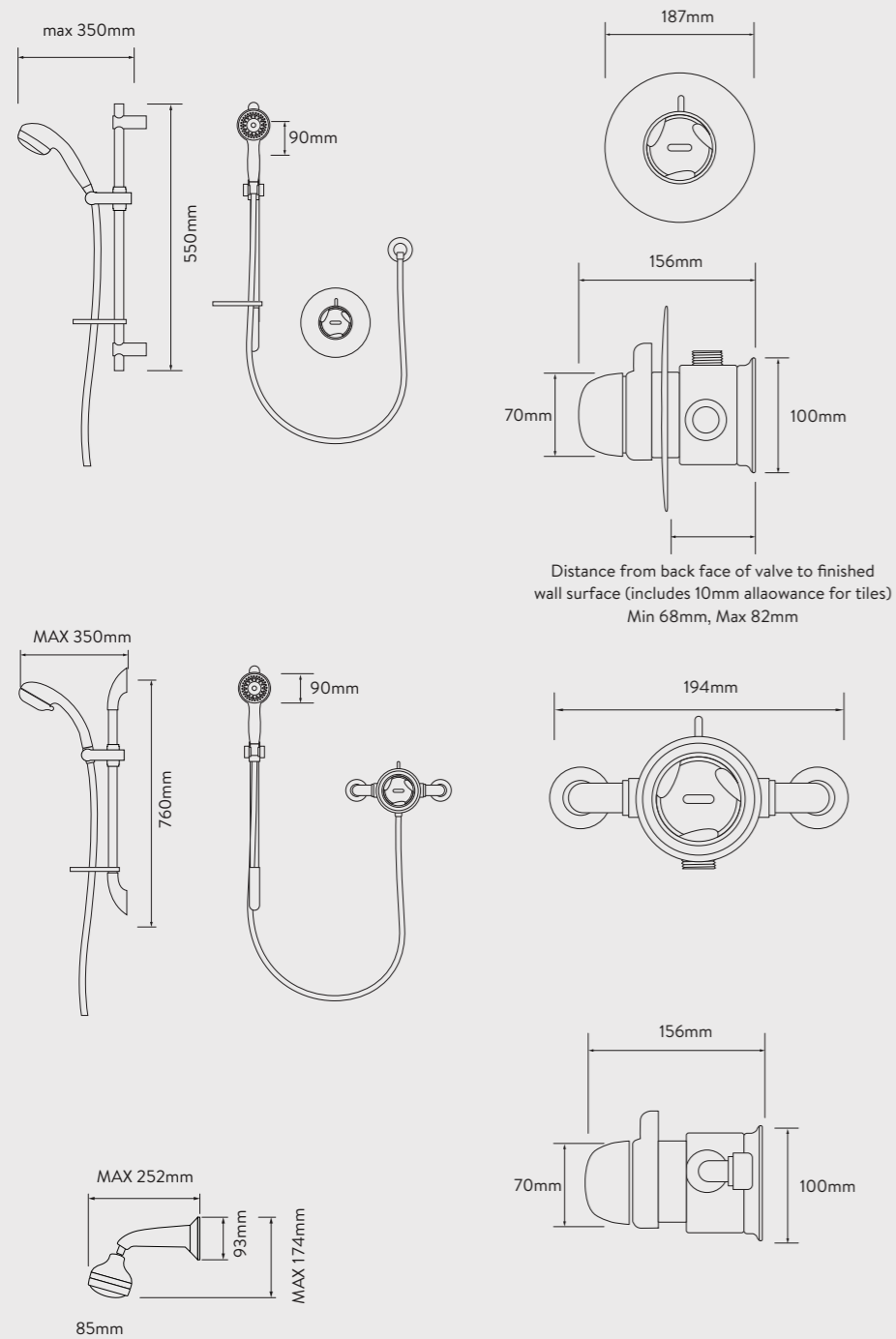
Valve: 500.10.04
8" head: 581.04
5" head: 551.04

Aquatique™ Thermo mixer shower with adjustable handset – gold

Exposed valve: 500.10.04
Concealed valve: 500.00.04
Head: 560.04

AQUAVALVE™ 700

DIMENSIONS



FEATURES

- Varispray™ or Turbostream™ handset with 3 spray patterns
- Choice of fixed tilt head or adjustable handset
- Chrome plated 1.5m metal hose
- Easy-clean nozzles
- Hose restraint
- Soap dish
- Thermacoil™

AQUAVALVE™ 700



Aquavalve™ 700 Thermo concealed mixer shower with adjustable handset – chrome

Valve
700.50.01
Varispray™ head
99.40.01
Turbostream™ head
99.20.01

Aquavalve™ 700 Thermo concealed mixer shower with fixed head – chrome

Valve
700.50.01
Varispray™ head
99.50.01
Turbostream™ head
99.30.01

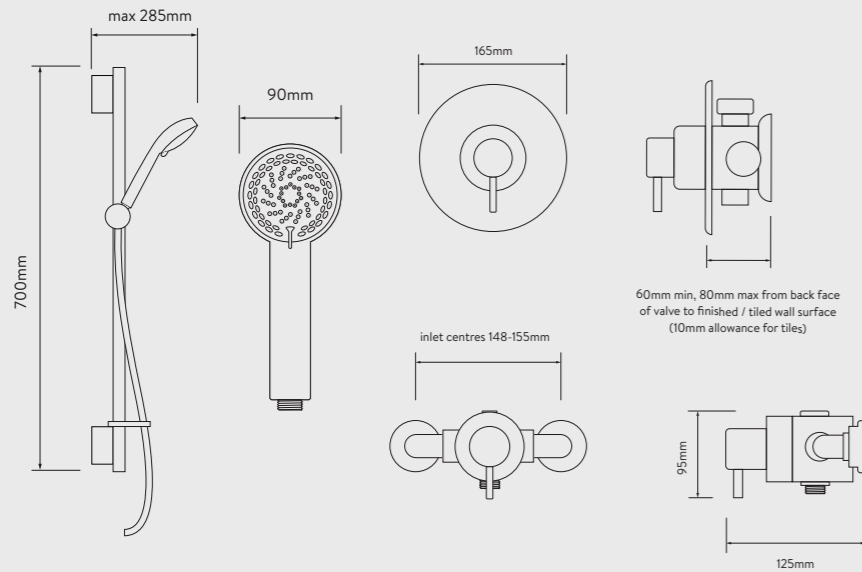
Aquavalve™ 700 Thermo exposed mixer shower with adjustable handset – chrome

Valve
700.51.01
Varispray™ head
99.40.01
Turbostream™ head
99.20.01



SIREN™ SL

DIMENSIONS



FEATURES

- 90mm adjustable Harmony™ handset with 4 spray patterns
- Chrome plated 1.5m metal hose
- Easy-clean nozzles
- Adjustable height slider
- Easy-click spray selector
- Gel hanger



SIREN™ SL



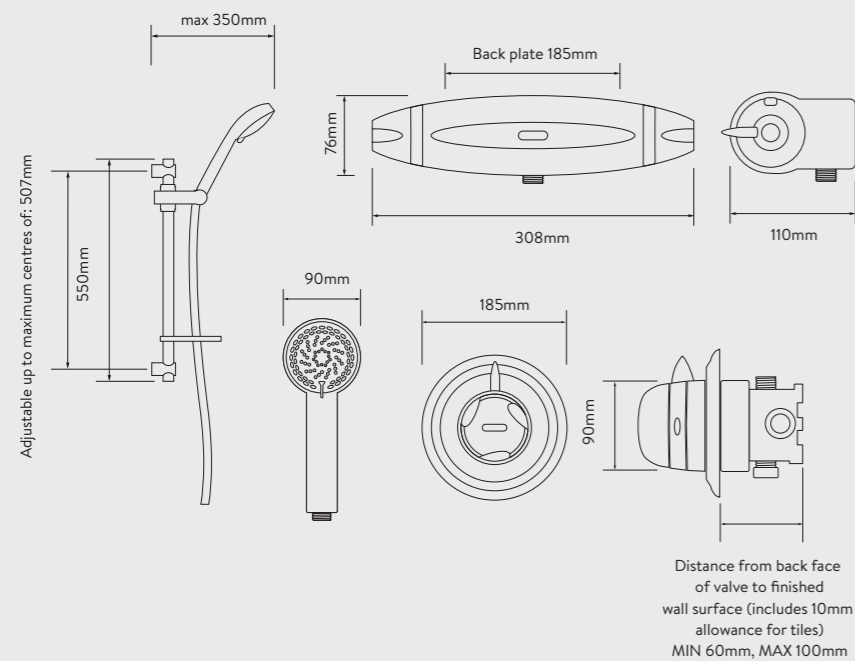
Siren™ SL concealed mixer shower with adjustable handset
SRN001CA



Siren™ SL exposed mixer shower with adjustable handset
SRN001EA

COLT™

DIMENSIONS



FEATURES

- Harmony™ handset with 3 spray patterns
- Chrome plated 1.5m metal hose
- Temperature override button
- Rotating spray selector
- Easy-clean nozzles
- PinchGrip™ slider
- Soap dish
- Thermacoil™



COLT™



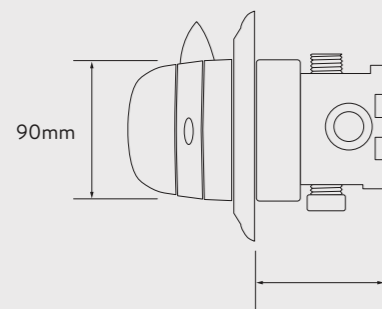
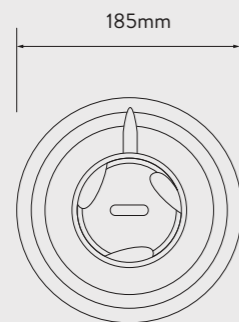
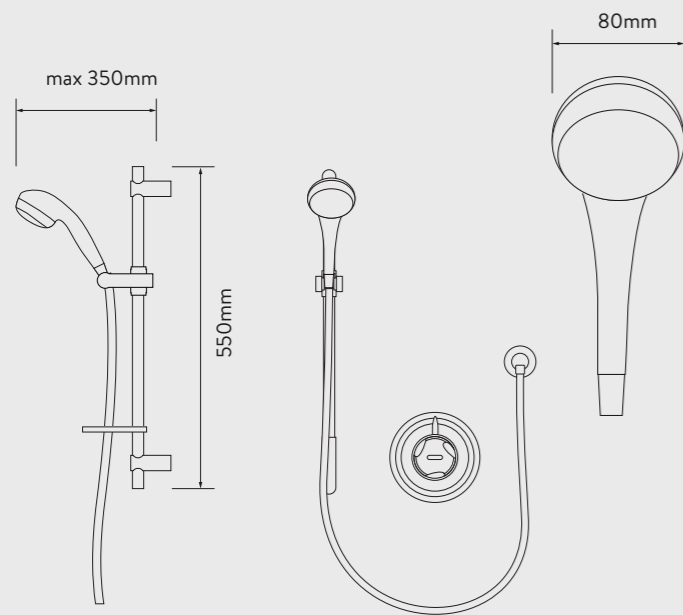
Colt™ concealed mixer shower with adjustable handset
COLT001CA



Colt™ exposed mixer shower with adjustable handset
COLT001EA

AQUAVALVE™ 609

DIMENSIONS



Distance from back face of valve to finished wall surface (includes 10mm allowance for tiles)
Min 60mm, Max 100mm



FEATURES

- Varispray™ or Turbostream™ handset with 3 spray patterns
- Easy-clean nozzles
- Rotating spray selector
- PinchGrip™ slider
- Chrome plated 1.5m metal hose
- Temperature override button
- Soap dish
- Thermacoil™

AQUAVALVE™ 609



Aquavalve™ 609 Thermo concealed valve with adjustable or fixed head – chrome

Concealed valve C609.01T
Adjustable Varispray™ head 99.40.01
Adjustable Turbostream™ head 99.20.01



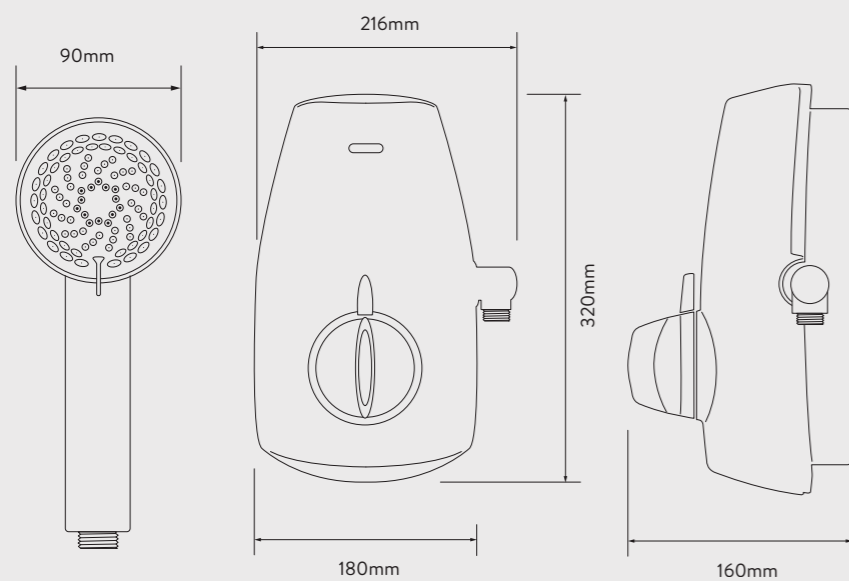
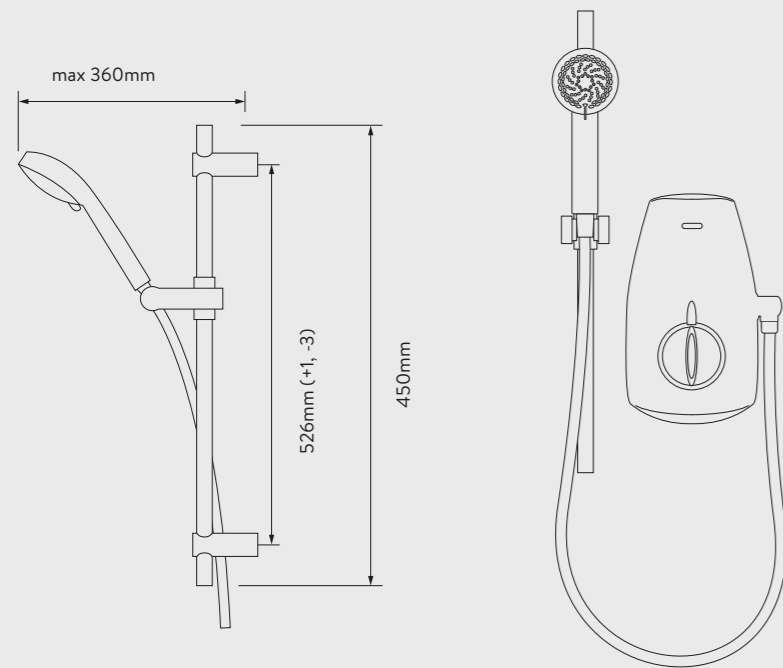
Aquavalve™ 609 Thermo concealed valve with adjustable or fixed head – white

Concealed valve C609.20T
Adjustable Varispray™ head 99.40.20



AQUASTREAM™

DIMENSIONS



FEATURES

- 90mm adjustable Harmony™ handset with 4 spray patterns
- Chrome plated 1.5m metal hose on chrome and white/chrome models. Smooth white hose on white only model
- Easy-click spray connector
- Easy-clean nozzles
- PinchGrip™ slider
- On/off flow control – two flow settings with integrated booster pump
- Gel hanger
- Thermacoil™



AQUASTREAM™



Aquastream™ power shower with adjustable handset – chrome
813.40.01



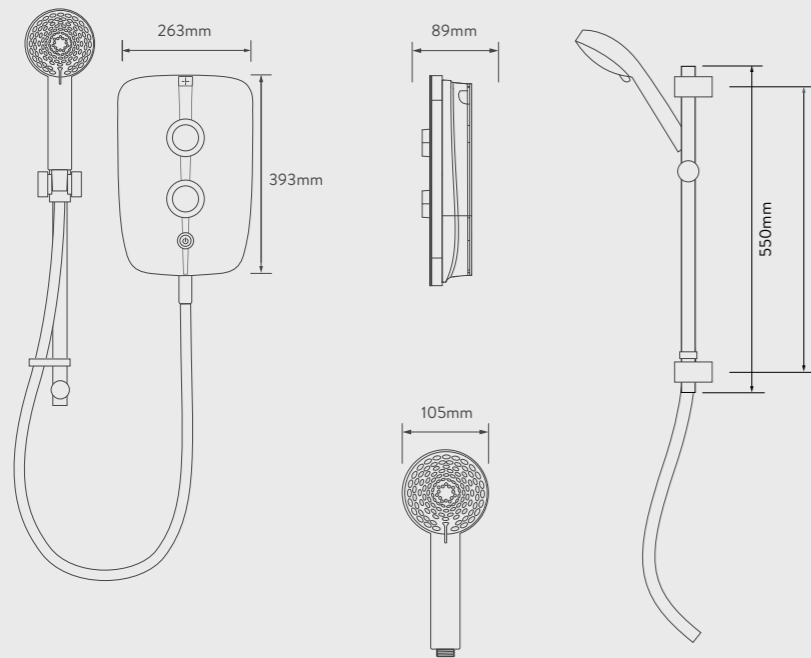
Aquastream™ power shower with adjustable handset – white
813.40.20



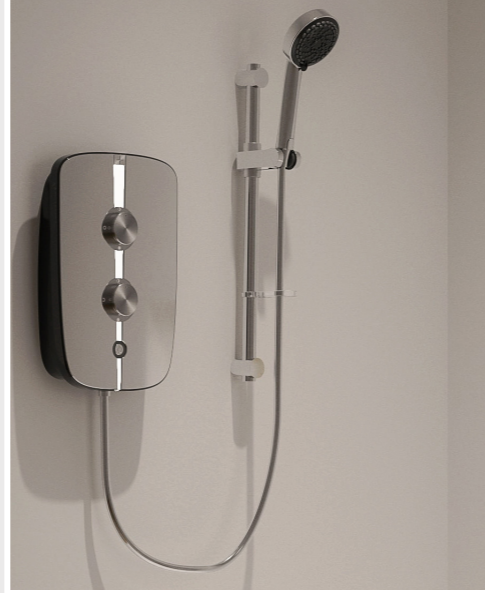
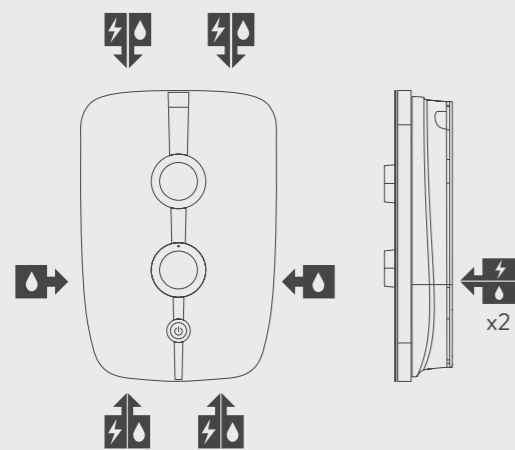
Aquastream™ power shower with adjustable handset – white & chrome
813.40.21

LUMI™+

DIMENSIONS



CONNECTIONS



FEATURES

- 105mm adjustable Harmony™ electric handset with 5 spray settings
- Light strip indicator
- Mirrored fascia
- Phased shut down
- Over temperature protection
- Low pressure indicator
- 1.5m smooth satin hose
- 8 multifit options



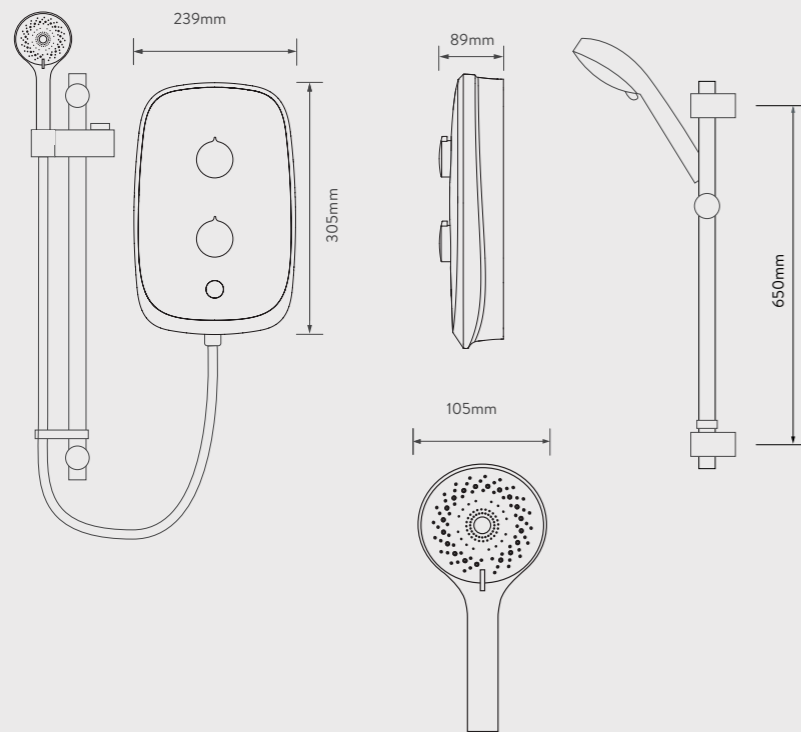
LUMI™+



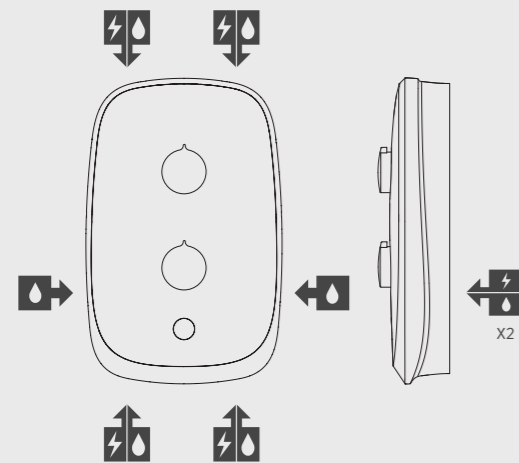
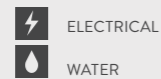
Aqualisa® Lumi™+ with adjustable handset - chrome
 8.5kW LMEP8501
 9.5kW LMEP9501
 10.5kW LMEP10501

eVOLVE™

DIMENSIONS



CONNECTIONS



FEATURES

- Splash handset with 3 spray patterns
- Over temperature protection system for safer showering
- Anti-scaling phased shut down technology
- Chrome plated stainless steel 1.5mm hose
- Digital temperature display
- Low pressure indicator
- Easy-clean nozzles
- Power control



eVOLVE™



eVOLVE™ electric shower with adjustable handset - Midnight Black
8.5kW VOTZ25
9.5kW VOTZ26
10.5kW VOTZ27



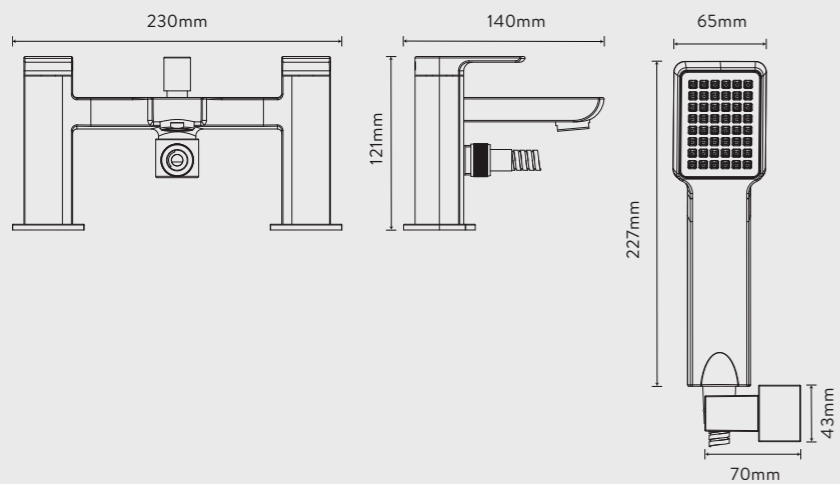
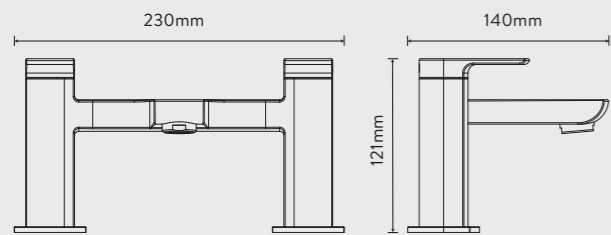
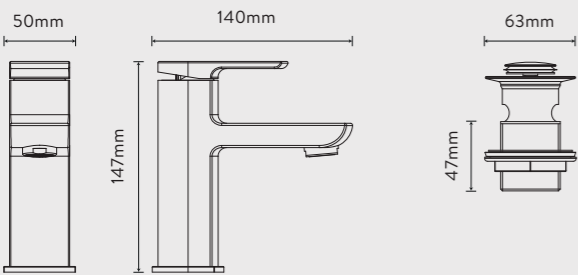
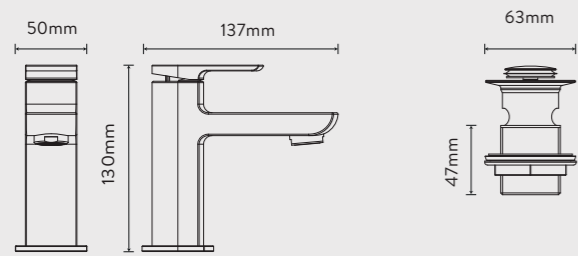
eVOLVE™ electric shower with adjustable handset - Space Grey
8.5kW VOXZ25
9.5kW VOXZ26
10.5kW VOXZ27



eVOLVE™ electric shower with adjustable handset - Arctic White
8.5kW VOPZ25
9.5kW VOPZ26
10.5kW VOPZ27

DOWNTOWN™

DIMENSIONS



FEATURES

- Aqualisa® branded
- LP/HP systems
- Brass body with zinc handles
- Polished chrome or matt black finish
- 5 year guarantee



DOWNTOWN™



Downtown™ small basin mixer tap – chrome
DT.SPT.CH



Downtown™ large basin mixer tap – chrome
DT.LPT.CH



Downtown™ deck mounted bath filler – chrome
DT.DBF.CH



Downtown™ bath shower mixer – chrome
DT.BSMT.CH



Downtown™ small basin mixer tap – matt black
DT.SPT.MB



Downtown™ large basin mixer tap – matt black
DT.LPT.MB



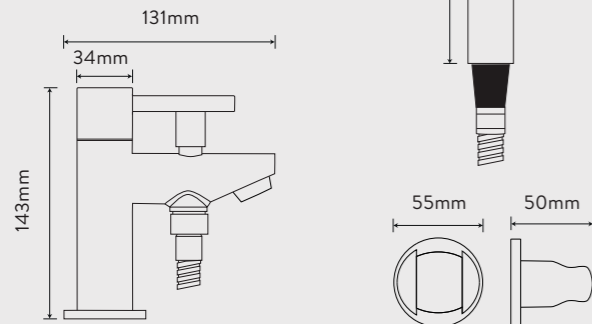
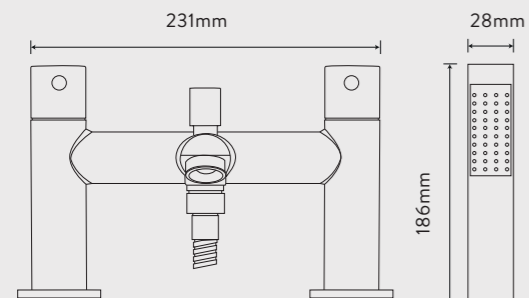
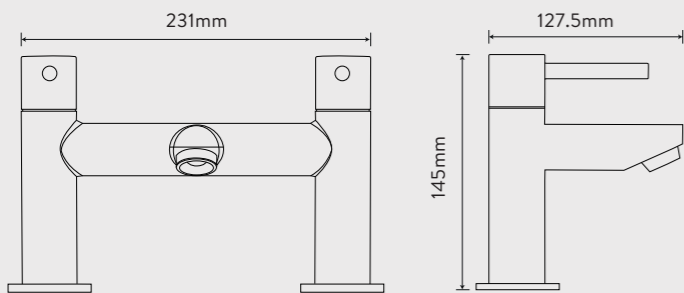
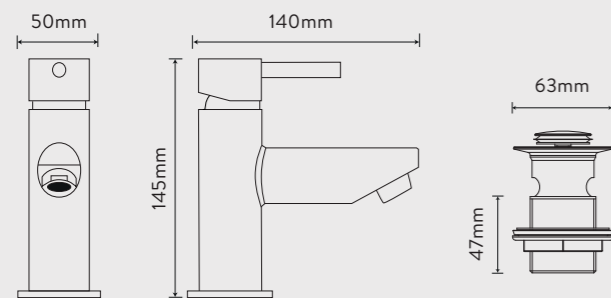
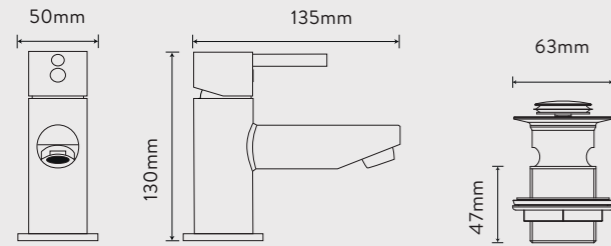
Downtown™ deck mounted bath filler – matt black
DT.DBF.MB



Downtown™ bath shower mixer – matt black
DT.BSMT.MB

UPTOWN™

DIMENSIONS



FEATURES

- Pin lever
- Aqualisa® branded
- LP/HP systems
- Brass body with zinc handles
- Polished chrome finish
- 5 year guarantee



UPTOWN™



Uptown™ small basin mixer tap
CB.SPT.19



Uptown™ large basin mixer tap
CB.LPT.19



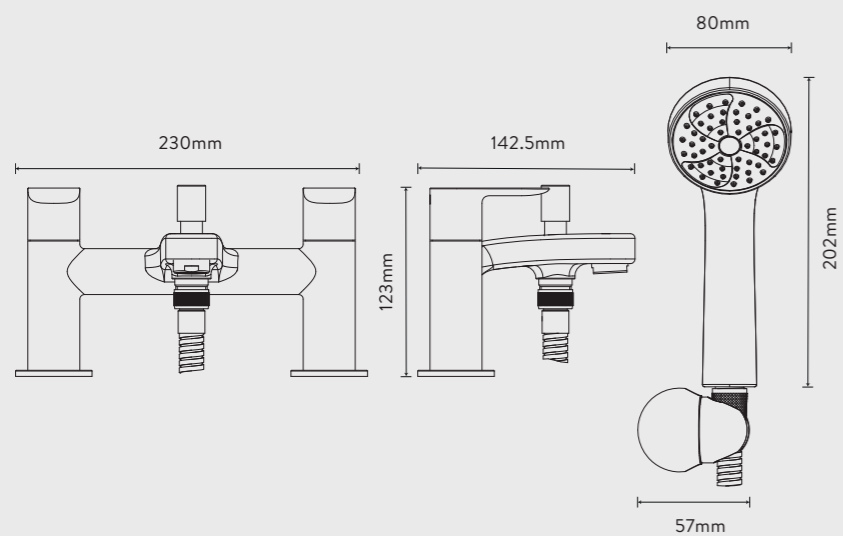
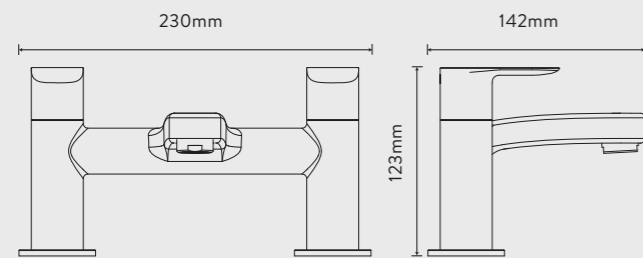
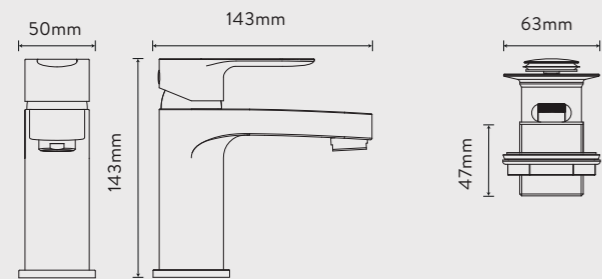
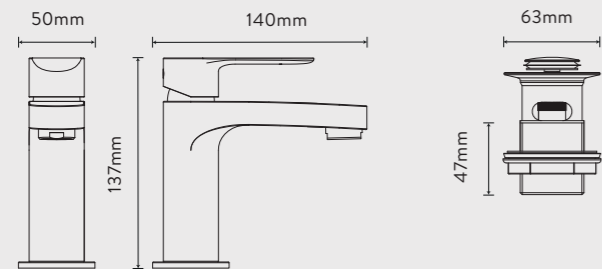
Uptown™ deck mounted bath filler
CB.DBF.19



Uptown™ bath shower mixer
CB.BSMT.20

CENTRAL™

DIMENSIONS



FEATURES

- Handle lever
- Aqualisa® branded
- LP/HP systems
- Brass body with zinc handles
- Polished chrome finish
- 5 year guarantee



CENTRAL™



Central™ small basin
mixer tap
CT.SPT.CH



Central™ large basin
mixer tap
CT.LPT.CH



Central™ deck mounted
bath filler
CT.DBF.CH



Central™ bath shower mixer
CT.BSMT.CH

TECHNICAL INFORMATION SMART SHOWERS



TECHNICAL INFORMATION SMART SHOWERS

QUARTZ TOUCH™

QUARTZ CLASSIC™

QUARTZ BLUE™

iSYSTEM™ SMART

DUAL OUTLET

SINGLE OUTLET

DUAL OUTLET

SINGLE OUTLET

DUAL OUTLET

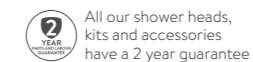
SINGLE OUTLET

DUAL OUTLET

SINGLE OUTLET

	QUARTZ TOUCH™		QUARTZ CLASSIC™		QUARTZ BLUE™		iSYSTEM™ SMART	
	DUAL OUTLET	SINGLE OUTLET	DUAL OUTLET	SINGLE OUTLET	DUAL OUTLET	SINGLE OUTLET	DUAL OUTLET	SINGLE OUTLET
Configurations available								
Concealed valve (for more discreet finish)	•	•	•	•	•	•	•	•
Exposed valve (ideal for easy installation)	•	•	•	•	•	•	•	•
Bath shower combination	•		•		•			
Divert to more than one outlet	•		•		•		•	
Controller features								
Flow control*	Variable	Variable	Single	Single/Boost		Single	Single	Single/Boost
One touch start/stop	•	•	•	•		•	•	•
Easy to use dual outlet button	•		•			•	•	
Smooth glide temperature control or lever	•	•	•	•		•	•	•
'Safe touch' controls	•	•	•	•		•	•	•
Illuminated LED display			•	•		•	•	•
Colour screen control menu	•	•						
Controller finish	Plastic front plus colour accent	Plastic front plus colour accent	Chrome plated	Chrome plated		Chrome plated	Chrome plated	Chrome plated
Remote control (optional accessory)								
Remote control	Wireless	Wireless	Wired	Wired			Wired	Wired
Shower heads, hoses and rails and accessories								
Handset size (diameter)	105mm	105mm	105mm	105mm		90mm	90mm	105mm
Number of sprays on handsets	4	4	4	4		4	4	4
Fixed head (diameter)	230mm	230mm	230mm	230mm		200mm	200mm	230mm
Long adjustable shower rail (concealed only)	700mm	700mm	700mm	700mm		700mm	700mm	700mm
Hose style	Ribbed chrome	Ribbed chrome	Ribbed chrome	Ribbed chrome		Ribbed chrome	Ribbed chrome	Smooth chrome
Retrofit wall plate			•	•				
Corner fixing brackets for exposed showers	•	•	•	•		•	•	
Rail extension kit for exposed showers	•	•	•	•		•	•	•
Eco features								
Water saving spray patterns (handset only)	•	•	•	•		•	•	•
Eco-setting in processor*	•	•	•	•		•	•	•

*Feature may not operate on combination boiler systems.



All our shower heads, kits and accessories have a 2 year guarantee



All our controllers and SmartValves™ have a 5 year guarantee

TECHNICAL INFORMATION MIXER SHOWERS

	DREAM™ CONCEALED ROUND	DREAM™ CONCEALED SQUARE	DREAM™ DL	ASPIRE™ DL	AQUATIQUE™	AQUAVALVE™ 700
Configurations available						
Concealed valve (for more discreet finish)	•	•	•	•	•	•
Exposed valve (ideal for easy installation)				•	•	•
Bath shower combination	•	•				
Divert to more than one outlet	•	•				
Controller features						
Flow control	Variable	Variable	Single	Variable	Single	Single
Temperature override button	•	•	•			
Smooth glide temperature control	•	•	•	•	•	•
'Safe touch' controls	•	•	•	•	•	•
Controller finish	Chrome plated luxury brass	Chrome plated luxury brass	Chrome plated luxury brass	Chrome plated luxury brass	Chrome or gold plated luxury brass/ceramic	Chrome plated luxury brass
'Safe touch' valve	•	•	•	•	•	•
Shower kits						
Handset size (diameter)	105mm	109mm	105mm	105mm	60mm	90mm
Number of sprays on handsets	4	3	4	4	1	3
Drencher head or fixed head (diameter)	250mm	250mm	105mm	105mm	125/200mm	90mm
Hose style	Smooth	Smooth	Ribbed	Ribbed	Ribbed	Ribbed
Eco features						
Water saving spray pattern	•	•	•	•	•	
Installer features						
Easy fit installation				• Exposed		
Retrofit suitability				• Exposed		
Guarantee period (years)						
Valve and fittings	5	5	5	5	3	3
Shower heads, rails and fittings	2	2	2	2	2	2

TECHNICAL INFORMATION POWER SHOWERS

	MIDAS™ 220	MIDAS™ 220	MIDAS™ 110	MIDAS™ 100	SIREN™ SL	COLT™	AQUASTREAM™ THERMO
Configurations available							
Concealed valve (for more discreet finish)					•	•	
Exposed valve (ideal for easy installation)	•	•	•	•	•	•	•
Bath shower combination	•	•	•	•			
Divert to more than one outlet	•	•	•	•			
Controller features							
Flow control	Variable	Variable	Variable	Variable	Variable	Single	Single/Boost
Temperature override button	•	•	•	•		•	
Smooth glide temperature control	•	•	•	•	•	•	•
'Safe touch' controls	•	•	•	•	•	•	•
Controller finish	Chrome plated luxury brass	Matt black	Chrome plated luxury brass	Chrome plated	Chrome plated luxury brass	Chrome plated	Satin/chrome White White/chrome
'Safe touch' valve	•	•	•		•	•	•
Shower kits							
Handset size (diameter)	105mm	102mm	105mm	90mm	90mm	90mm	90mm
Number of sprays on handsets	4	5	4	4	4	4	4
Drencher head or fixed head (diameter)	230mm	245mm	215mm				
Hose style	Ribbed	Smooth	Ribbed	Ribbed	Ribbed	Ribbed	Ribbed
Eco features							
Water saving spray pattern	•	•	•	•	•	•	•
Installer features							
Easy fit installation	•	•	•	•	• Exposed		•
Retrofit suitability	•	•	•	•	• Exposed		•
Guarantee period (years)							
Valve and fittings	5	5	5	5	5	2	3
Shower heads, rails and fittings	2	2	2	2	2	2	2

TECHNICAL INFORMATION ELECTRIC SHOWERS

	LUMI™+ ELECTRIC	EVOLVE™ ELECTRIC
Configurations available		
Mirror with illumination	•	
Arctic White / Chrome		•
Space Grey / Chrome		•
Midnight Black / Chrome		•
Power Rating – 8.5 kW	•	•
Power Rating – 9.5 kW	•	•
Power Rating – 10.5 kW	•	•
Shower heads, hoses and rails accessory		
Handset size (diameter)	105mm	105mm
Number of sprays on handset	5	3
Easy-clean nozzles on shower head	•	•
User features		
Power settings	3	3
Soft touch push button start/stop control	•	•
Illuminated display		•
Illuminated panel	•	
Separate power and temperature controls	•	•
Easy glide temperature control	•	•
Safety features		
Phased shutdown Flushes residual hot water out of system	•	•
Heat sensor Safeguards user from high temperatures	•	•
Approvals		
European Water Label	•	•
BEAB	•	•
CE	•	•
Guarantee period (years)		
	2	2



TECHNICAL INFORMATION

TAPS

DOWNTOWN™

	SINGLE BASIN	LARGE BASIN	DECK MOUNTED	BATH SHOWER
Pressure				
Min pressure required	0.2 bar	0.2 bar	0.2 bar	0.2 bar
Max pressure required	5 bar	5 bar	5 bar	5 bar
Inlet Connections				
2 x braided hose with 1/2" BSP female	•	•		
2 x 3/4" BSP			•	•
Fittings				
Rear inlet supply positions			Hot/left, cold/right (as viewed from the front)	Hot/left, cold/right (as viewed from the front)
Tap holes	1	1	2	2
Handle type	Lever, dual control	Lever, dual control	Dual levers for hot and cold	Dual levers for hot and cold
Hose connection				1/2" BSP
Mounting Type				
Deck mounted	•	•	•	
Deck mounted with wall mounted handset holder				•
Water Systems				
Low and high pressure systems	•	•	•	•
Features				
Brass body with zinc handles	•	•	•	•
Design	Soft Square	Soft Square	Soft Square	Soft Square
Click clack waste included	•	•		
Colour	Chrome and Matt Black	Chrome and Matt Black	Chrome and Matt Black	Chrome and Matt Black
Flow Rate				
Open outlet mixed flow rate @ 3 bar pressure	5.1 l/pm	4.7 l/pm	63.5 l/pm	56.4 l/pm
Guarantee Period				
5 years	•	•	•	•

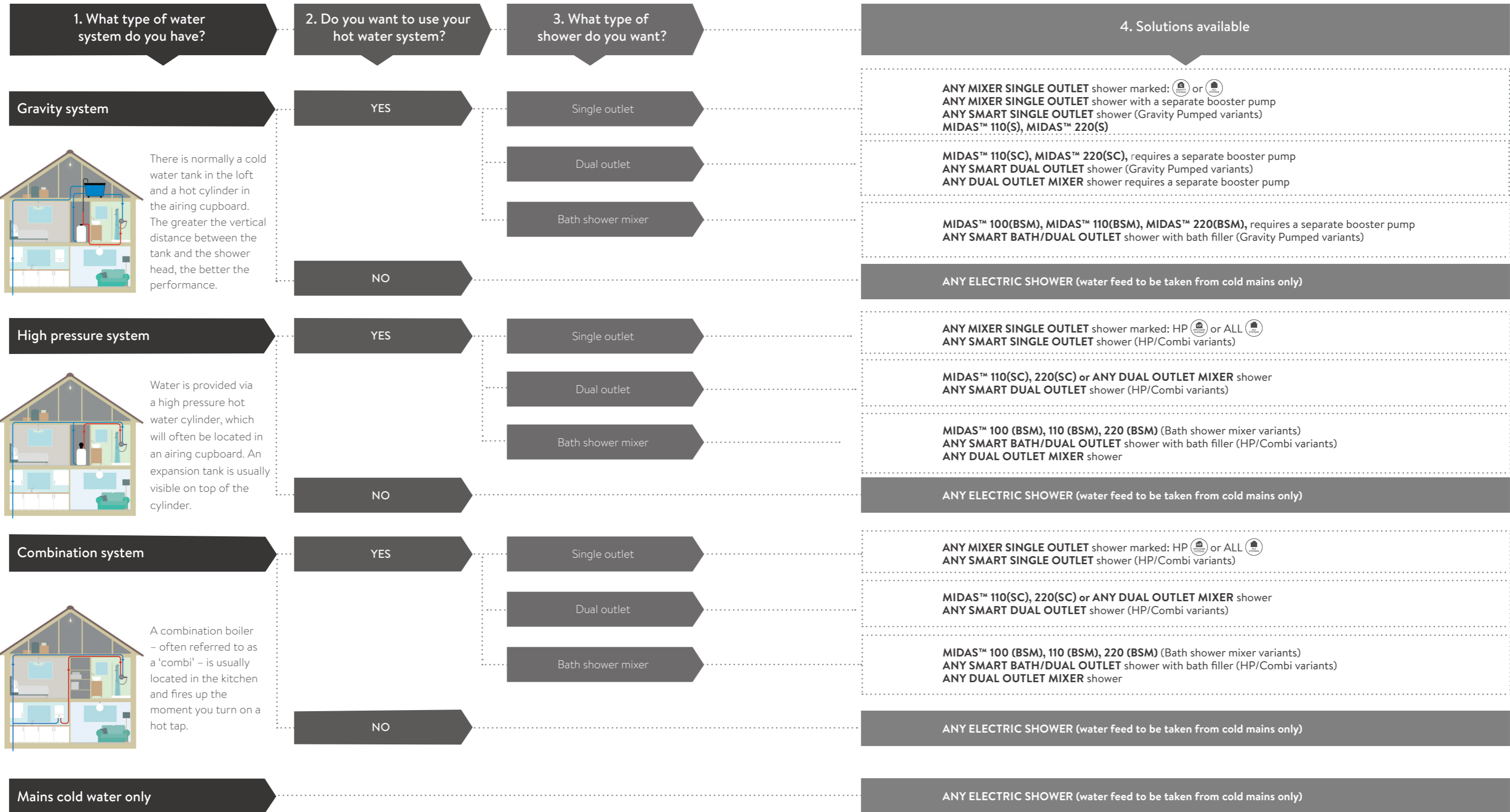
UPTOWN™

CENTRAL™

SINGLE BASIN	LARGE BASIN	DECK MOUNTED	BATH SHOWER	SINGLE BASIN	LARGE BASIN	DECK MOUNTED	BATH SHOWER
Pressure							
0.1 bar	0.1 bar	0.2 bar	0.1 bar	0.2 bar	0.2 bar	0.2 bar	0.2 bar
5 bar	5 bar	5 bar	5 bar	5 bar	5 bar	5 bar	5 bar
Inlet Connections							
•	•			•	•		
		•	•			•	•
Fittings							
		Hot/left, cold/right (as viewed from the front)	Hot/left, cold/right (as viewed from the front)			Hot/left, cold/right (as viewed from the front)	Hot/left, cold/right (as viewed from the front)
1	1	2	2	1	1	2	2
Lever, dual control	Lever, dual control	Dual levers for hot and cold	Dual levers for hot and cold	Lever, dual control	Lever, dual control	Dual levers for hot and cold	Dual levers for hot and cold
			1/2" BSP				1/2" BSP
Mounting Type							
•	•	•		•	•	•	
			•				•
Water Systems							
•	•	•	•	•	•	•	•
Features							
•	•	•	•	•	•	•	•
Round	Round	Round	Round	Rounded	Rounded	Rounded	Rounded
•	•			•	•		
Chrome	Chrome	Chrome	Chrome	Chrome	Chrome	Chrome	Chrome
Flow Rate							
4.48 l/pm	5.13 l/pm	58.33 l/pm	55.98 l/pm	4.9 l/pm	4.5 l/pm	72.26 l/pm	61.74 l/pm
Guarantee Period							
•	•	•	•	•	•	•	•

Choosing your shower.

This simple guide will help you choose your new shower or bath filler. Firstly, identify your water system using the diagrams and descriptions below. Then, follow the chart on the right to choose the shower or bath filler that is suitable. For further help, call us on 01959 560 010.



BATHROOM MAKEOVERS

Refurbishing your bathroom from scratch can be a daunting prospect, so why not opt for a refit if you simply want to smarten up your shower? When it comes to refurbishments, Aqualisa® has long been regarded as a go-to brand by both customers and installers. Whatever the system or showering technology you're looking for, there's a good chance we'll be able to help you find the perfect solution.

Upgrade to a smart shower without re-tiling

You can now upgrade to a smart shower without the need to re-tile your shower area. The Quartz™ Smart Retrofit Shower allows you to replace almost any brand of exposed mixer shower with a model from the Aqualisa® Quartz™ Smart Collection – with quick and easy installation that won't disrupt your existing décor. This attractive shower also includes a useful storage shelf for your toiletries and bathroom accessories.

See the smart shower collection on pages 8-29



Upgrade a bar valve to our Midas™ shower column

Changing your bar valve? Why not upgrade to a new, multitasking bar valve that offers the versatility of two shower heads? Thanks to the clever retrofit features of bar valve mixers such as Midas™ 110 and 220, installing them is a lot easier than you might think. Available in chrome, matt black and matt white.

See the Midas™ collection on pages 38-45



Easy to fit electric

With multi-fit connection points for water and electricity, Lumi+ is a perfect retrofit style upgrade and available at 8.5, 9.5 and 10.5 kW ratings *. (*Always consult a qualified electrician on cable requirements).

See the electric shower ranges on pages 48-57



Smart loft conversions

A smart shower can solve negative head problems. If you need to fix a shower head above the water tank base, choosing a smart shower with pumped SmartValve™ is a good option. Perfect for loft conversions!

See the smart shower collection on pages 8-29

Complete the look

Coordinate your bathroom design, with complementary showers and taps. These eye-catching matt black Downtown™ taps pair perfectly with our Midas 220™ shower in matt black.

See the taps collection on pages 58-63



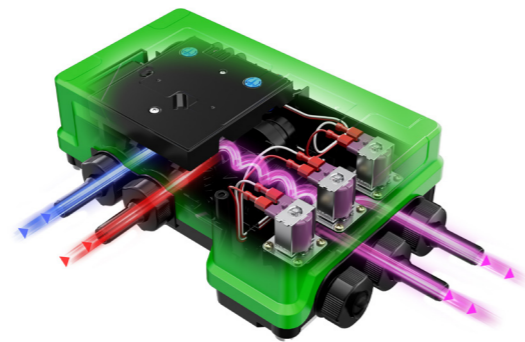
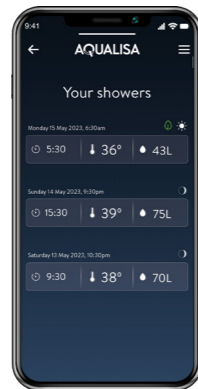
WATER SAVING INNOVATIONS

The average bath uses up to 100 litres of water. That's in comparison to a quick shower, which consumes around 30 litres. So, if you want to be greener in the bathroom, it makes sense to shower.

Smart Savings

The SmartValve™ in our smart showers can be set to 'eco' mode and is capable of reducing water flow by up to 33%, using as little as 5 litres per minute.

The SmartValve™ connects to the Aqualisa® app, allowing you to track your water usage.



YOU HAVE OUR FULL SUPPORT

We pride ourselves on fast, friendly and efficient customer service. So, whether it's a quick question about your new shower, a technical query or if you would like to arrange a visit from one of our nationwide service engineers, simply pick up the phone, email us or visit our website for a live chat. We'll be happy to help, regardless of the age or model of your shower.

CONTACT US:

ADVICE, SUPPORT AND GENERAL ENQUIRIES:

Customer Service Helpline:
01959 560 010

Switchboard:
01959 560 000

Email:
enquiries@aqualisa.co.uk

Website:
www.aqualisa.co.uk

Live chat:
www.aqualisa.co.uk

Customer Service webpage:
www.aqualisa.co.uk/customer-support

Our telephone lines are open Monday to Friday, 8am to 5pm.
We are closed on Bank Holidays, Saturdays and Sundays.

FREE INSTALLER TRAINING

Join 1000s of installers who have benefitted from Aqualisa® Installer training. For further information visit www.aqualisa.co.uk/aqualisa-training or call our training team on **01959 560 042**

Electric Savings

All our electric showers carry the European Water Label and are rated 'A' for energy efficiency.



Eco Heads

Our Harmony™ heads, supplied with most of our smart and mixer showers, use intelligent design to deliver a fuller spray, while allowing you to make up to 25% in water savings.



Flow Control

Our Midas™ showers are available with a choice of regulators that limit water flow to as little as 6 litres per minute. They save water, reduce running costs and meet existing building regulations.






Aqualisa Products Limited
The Flyers Way
Westerham
Kent TN16 1DE


Customer Service and Technical Helpline:
01959 560 010


Brochure request line:
0800 652 3669


Website:
www.aqualisa.co.uk

Email:
enquiries@aqualisa.co.uk

 @AqualisaShowers

 @AqualisaShowers

 @AqualisaShowers

 Aqualisa



Scan to visit
our website

The company reserves the right to alter, change or modify the product or product specifications without prior warning. Please refer to the installation guides for technical information.
Registered Trademark Aqualisa Products Limited.

Copyright © Aqualisa 2023. All rights reserved. No part of this brochure may be reproduced whether by copying or storing in any medium, electronic or otherwise, without the express permission of Aqualisa subject to any contrary provision under the Copyright, Designs and Patents Act 1988. Any unauthorised reproduction of any part of this brochure may lead to a civil claim for damages or criminal prosecution.

Errors and omissions excepted.